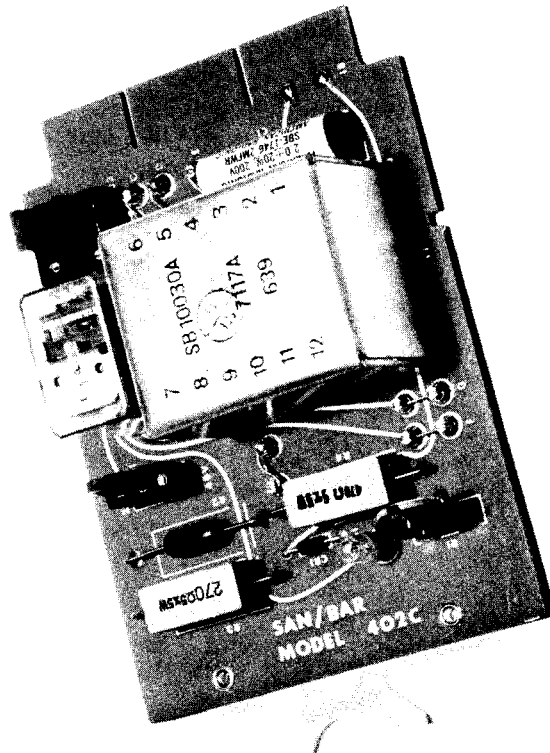


SAN/BAR CORPORATION

MODEL SB402C PUBLIC ADDRESS LINE COUPLER



The SAN/BAR 402C Public Address Line Coupler is an interface unit used to provide access to public address (paging) equipment, or to provide access to automatic recorded message equipment.

The SB402C is a standard 4 inch 18-pin, KTU plug-in unit that can be plugged into any 18-, 20- or 40-pin KSU or into 584-type mounting shelves.

In key system applications the SB402C provides the necessary circuitry to permit access to a public address system through a telephone key button and extend lamp power to provide visual indication when the PA system is in use. In such applications, a pickup key must be dedicated at each telephone which will have access to the PA system.

When used in conjunction with selector levels, the SB402C circuitry provides "C" Lead control.

SPECIFICATIONS

- a Source Voltage: -24V DC or -48V DC selectable by a strapping option.
- b Interface Impedance: 600 ohms nominal, adjustable downward.
- c Operating environment temperature from 0°C to 50°C - Humidity to 90%
- d Current consumption: No idle current consumption. Maximum is 150 MA.
- e Busy lamp: A lamp is provided to indicate that the unit is in use.
- f Printed Circuit Board. Standard 4", 18 pin KTU plug-in unit.
- g Key location: Card is keyed with slots between pins 5 and 6 and between pins 12 and 13.

MOUNTING

The SB402C can be plugged into a 18-, 20- or 40-pin key system cell connector or mounted separately. The SB402C is keyed and self-centering to assure correct positioning. See SAN/BAR Technical Data Sheet "Equipment

Mounting Shelves" for shelves available for for special installations.

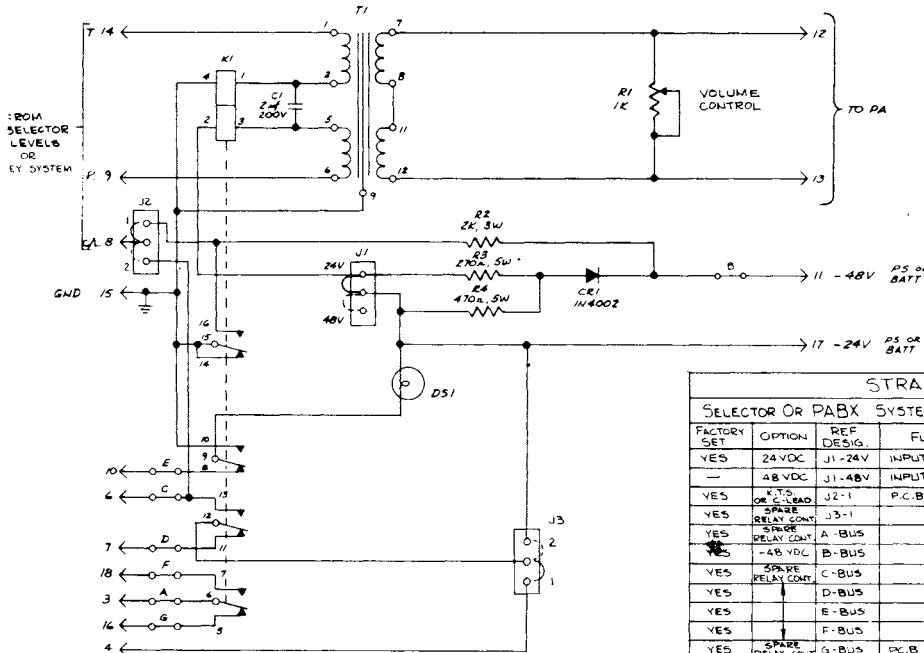
INSTALLATION

Strapping options should be reviewed prior to installation to assure proper operation and avoid contention of pins used for other functions.

Key Telephone System Application. Telephone instrument lamp supervision is provided by setting strapping options J2-2 and J3-1. This will apply 10 VAC to the lamp lead thru pin 8 when the PA coupler is seized. Talk battery is provided via the center tap of the coupling transformer and strapping option J1-24V. In the KTU application, -48V is not used and jumper B must be removed.

Selector Level Application. Pin 8 takes on the function of the C lead showing battery in the idle condition. When seized, relay K1 operates to ground pin 8 to provide indication of a busy condition.

The contacts of Relay K1 are available to perform special functions (muting of music while PA seized for voice) provided appropriate modifications are made to associated connectors if they are wired for other standard applications.



STRAPPING OPTION

SELECTOR OR PABX SYSTEM				KEY TELEPHONE SYSTEM			
FACTORY SET	OPTION	REF. DESIG.	FUNCTION	FACTORY SET	OPTION	REF. DESIG.	FUNCTION
YES	24 VDC	J1-24V	INPUT VOLTAGE	YES	24 VDC	J1-24V	INPUT VOLTAGE
—	48 VDC	J1-48V	INPUT VOLTAGE	—	—	—	—
YES	RTS OR C-LEAD	J2-1	P.C.B. PIN 8	NO	LAMP	J2-2	INTERN. LAMP SUPV.
YES	SPARE RELAY CONT.	J3-1	5	YES	LAMP	J3-1	INTERN. LAMP SUPV.
YES	SPARE RELAY CONT.	A-BUS	3				
YES	-48 VDC	B-BUS	11				
YES	SPARE RELAY CONT.	C-BUS	6				
YES	—	D-BUS	7				
YES	—	E-BUS	10				
YES	—	F-BUS	18				
YES	SPARE RELAY CONT.	G-BUS	P.C.B. PIN 16				

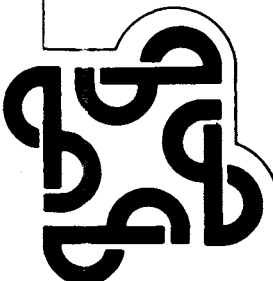
NOTE: for K.T.S. application, remove all jumpers (A thru G) and re-position J2 & J3 U-links in position 2.

SAN / BAR CORPORATION

P.O. BOX 11787/17422 PULLMAN STREET/ SANTA ANA, CALIFORNIA 92711/(714)546-6500

SB402C-474

Printed in U.S.A.

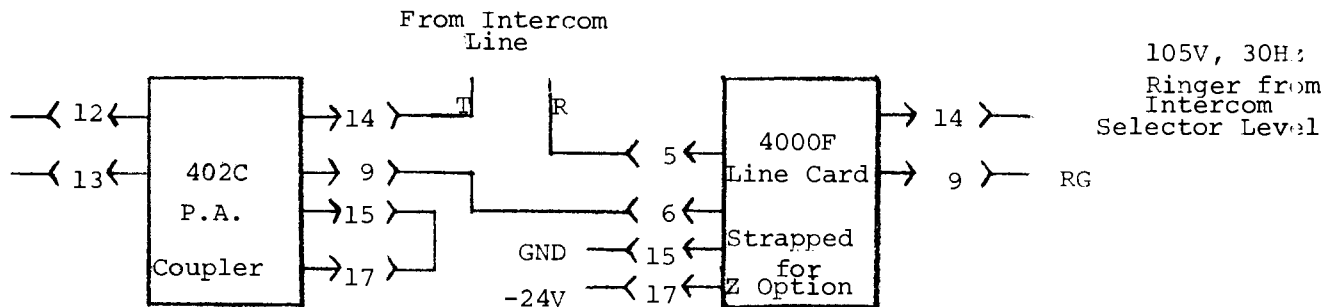


SB402C P. A. COUPLER

SB402C P. A. Coupler "207 Intercom Dial-In Arrangement"

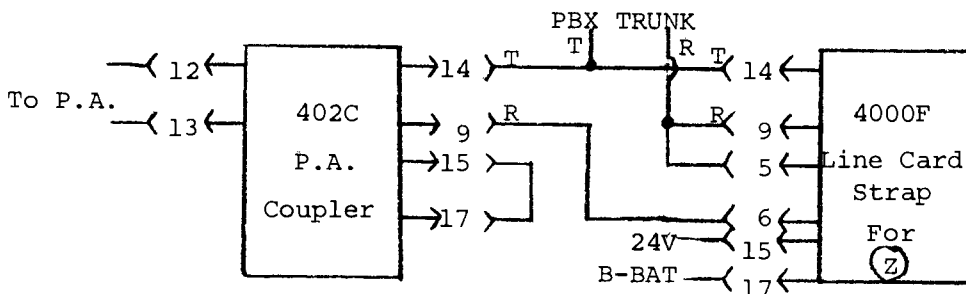
NOTE: This arrangement is intended for use only with 207C Intercom, which applies 105V, 30Hz Ringer Signal

This arrangement provided Dial-In capability from a 207C Intercom. When the prescribed level is selected, the P.A. coupler will be connected to the intercom link by the 4000F card and will be automatically disconnected after 15 seconds.



This arrangement provides P. A. dial-in capability through a PBX trunk. By dialing the proper PBX extension, anyone may access the P.A. system. This set-up will automatically answer, connect to the P.A., and disconnect in 15 seconds.

NOTE: Disconnect all existing wiring to KTS connectors (if applicable). For a 2-card mounting shelf, see the SB318A.



SB402C P.A. coupler "207C Dial-In Arrangement" for use with 207C DC signaling.

This arrangement will provide P.A. dial-in capability from 207C Intercom employing DC signaling methods. When the prescribed level is selected, the coupler will be connected to the intercom link.

The components of the holding network must be selected to hold the relay for the desired period, and release the coupler from the intercom link upon time-out.

