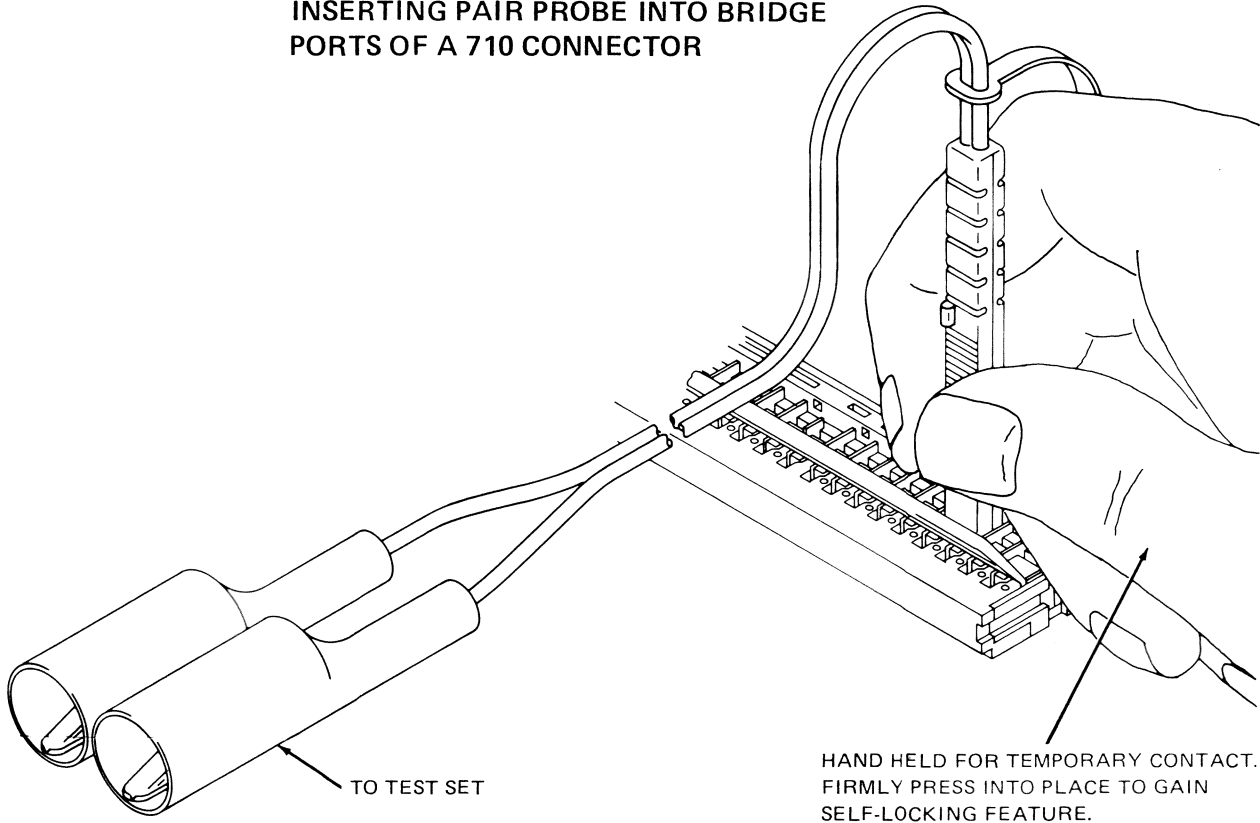
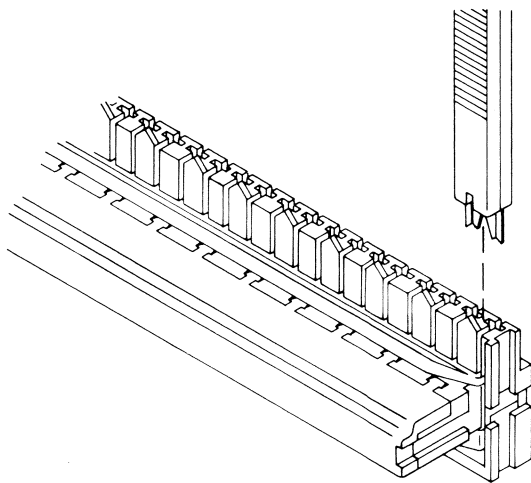


# W2HM CORD 710 SPLICING SYSTEM

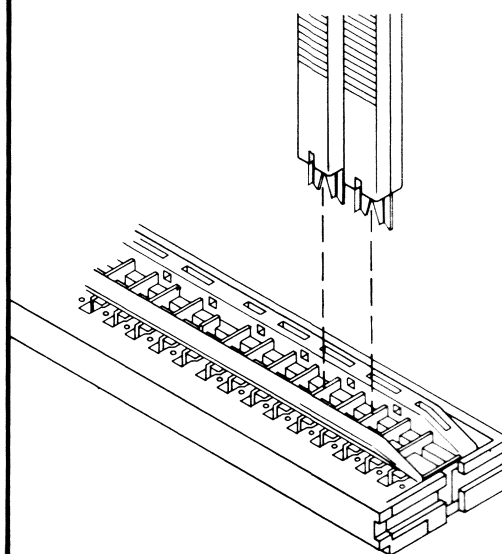
INSERTING PAIR PROBE INTO BRIDGE  
PORTS OF A 710 CONNECTOR



PAIR PROBE MAKING CONTACT AT TOP  
OF AN UNWIRED CAPLESS MODULE



TWO PAIR PROBES PLACED SIDE-BY-SIDE  
IN ADJACENT PAIRS OF BRIDGE PORTS



**NOTICE**

Not for use or disclosure outside the  
Bell System except under written agreement

Comcode  
843820374