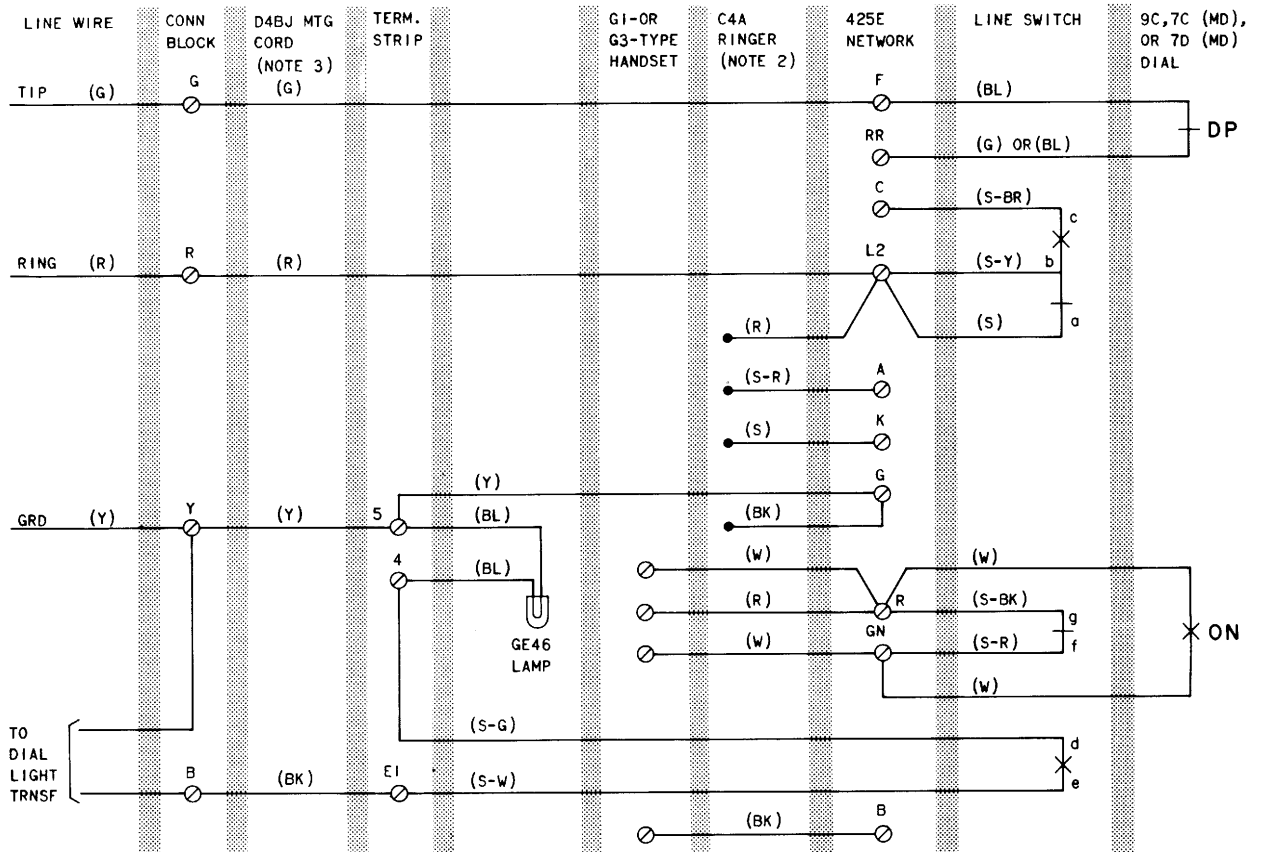


SERVICE

500H TELEPHONE SETS

1. GENERAL

1.01 Reissued to add nontechnical changes to Fig. 1.



NOTES:

1. SET FACTORY-WIRED FOR RING PARTY.
 - FOR TIP PARTY SERVICE, REVERSE LEADS (R) AND (G) AT CONNECTING BLOCK.
 - FOR INDIVIDUAL OR BRIDGED SERVICE, REMOVE (BK) RINGER LEAD FROM G AND PLACE ON F.
2. TO SILENCE RINGER PERMANENTLY:
REMOVE (R) RINGER LEAD FROM L2 ON NETWORK,
INSULATE AND STORE.
3. DO NOT USE 25 FT MOUNTING CORDS, THE ADDED RESISTANCE MAY BE TOO HIGH
FOR ADEQUATE ILLUMINATION FROM LAMP.
4. LINE SWITCH SEQUENCE, HANDSET REMOVED.
 - bc - MAKES
 - de - MAKES
 - ab - BREAKS
 - gf - BREAKS

DP-DIAL PULSE CONTACT

ON-DIAL OFF-NORMAL CONTACT

◆Fig. 1—500H (MD) Telephone Set, Connections◆