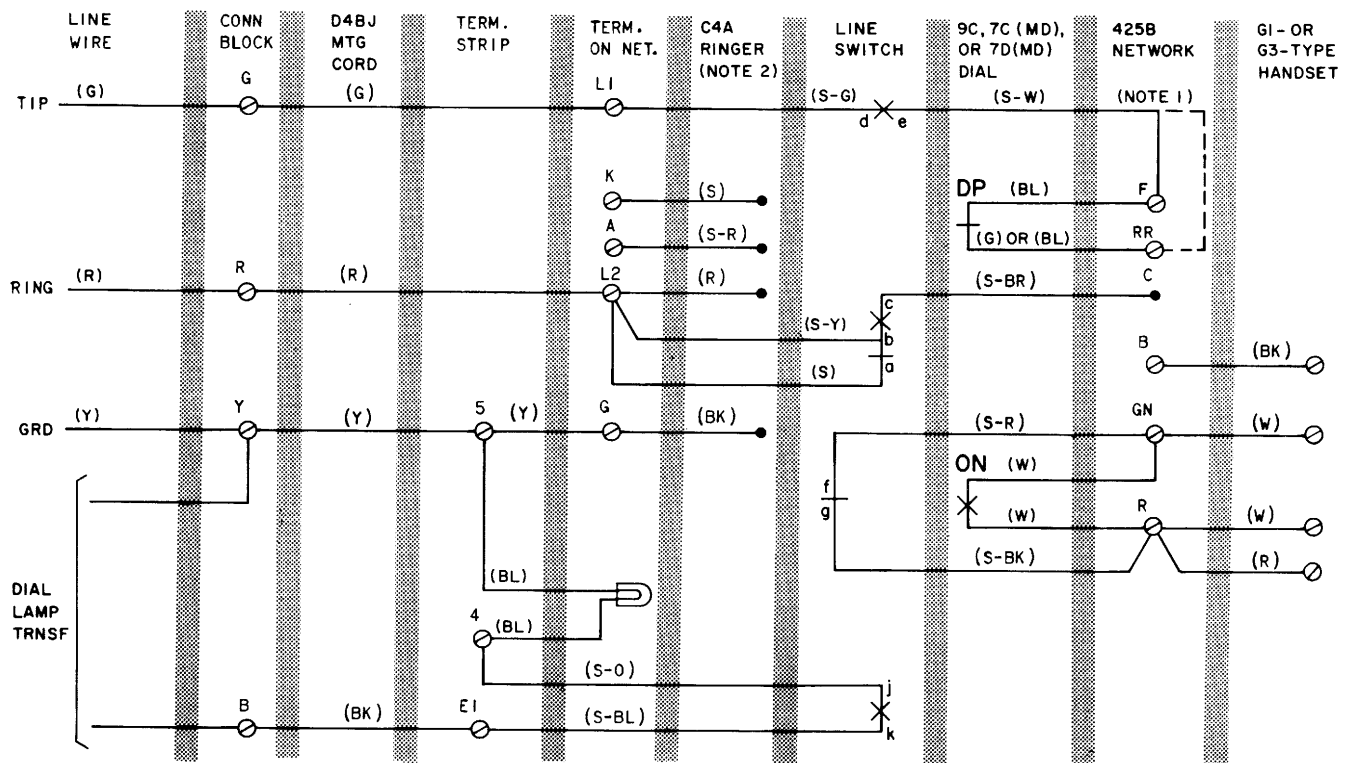


SERVICE 500P TELEPHONE SETS

1. GENERAL

1.01 Reissued to add nontechnical changes to Fig. 1.



NOTES:

1. FOR MANUAL SERVICE, MOVE (S-W) LEAD FROM F TO RR.
2. TO SILENCE RINGER FOR ALL CLASSES OF SERVICE EXCEPT TIP PARTY IDENT. GROUND, CONNECT (BK) RINGER LEAD TO K TERMINAL ON NETWORK.
3. RING PARTY CONNECTIONS SHOWN. FOR OTHER CLASSES OF SERVICE REFER TO TABLE A.
4. LINE SWITCH SEQUENCE, HANDSET REMOVED.

(1) bc-MAKES	(3) ab-BREAKS	(5) jk-MAKES
(2) de-MAKES	(4) gf-BREAKS	

DP - DIAL PULSE CONTACT
ON - DIAL OFF-NORMAL CONTACT

◆Fig. 1—500P (MD) Telephone Set, Connections◆

TABLE A
LINE AND RINGER CONNECTIONS

WIRE OR LEAD	COLOR	INDI- VIDUAL OR BRIDGED	TIP PARTY NO IDENT GROUND	TIP PARTY IDENT GRD	
				1000Ω	2650Ω
Ringer Leads	R	L2	L2	K	B
	BK	L1	G	G	B
	S	K	K	B	K
	S-R	A	A	B	G
Line Switch	S	L2	L2	A	A
Mtg. Cord in Set	R	L2	L2	L2	L2
	G	L1	L1	L1	L1
	Y	5	5	5	5
	BK	E1	E1	E1	E1
Mtg. Cord at Conn. Block	R	R	G	G	G
	G	G	R	R	R
	Y	Y	Y	Y	Y
	BK	B	B	B	B