

COIN TELEPHONE STATIONS

DIAL TONE FIRST—MULTISLOT

1. GENERAL

1.01 This section covers the installation and testing of Dial Tone First and Automatic Nickel Local Overtime Features.

1.02 Information in this section was previously contained in Section 506-110-110 which is hereby canceled.

1.03 This section provides instructions for installing a D-180352 Kit (Fig. 1) which is an electromagnet replacement for the P-349747 electromagnet on P-20A125 through P-20A130 and P-340222 coin chute and gong assemblies. Modification information is also included for the 1200-type coin collectors.

1.04 *Test A—Dial Tone First:* This test verifies proper operation of the coin collector after central office and station set conversion has been completed.

1.05 *Test B—Automatic Nickel Local Overtime:* This test verifies proper operation of the automatic nickel local overtime feature (where provided) upon completion of the dial tone first modification.

1.06 All Plant Series sections for the 190-, 200-, and 1200-type coin collectors apply unless otherwise specified in this section.

2. APPARATUS

2.01 The following apparatus is used in this modification procedure:

- (a) 446K diode
- (b) 131A gauge or equivalent
- (c) D-180352 Kit of Parts (required only with automatic nickel local overtime feature).

3. MODIFICATION

DIAL TONE FIRST

3.01 Open the set to obtain access to coin chute and gong assembly.

3.02 Remove the dial shorting feature from the following sets as directed:

(a) 191, 195, 196, 197 GT/GNT and 200 series coin collectors (except 235-type) — Disconnect, tape, and store the slate lead from terminal 1 of coin relay.

(b) 191, 195, 196, 197 GT/GS coin collectors—Disconnect, tape, and store the slate lead from terminal X on the backplate assembly.

(c) 191, 195, 196, and 197 GNS coin collectors—Disconnect, tape, and store the lead from terminal BKK on backplate assembly.

(d) For 1234G coin collectors—Disconnect, tape, and store the yellow lead from terminal 1 of coin relay.

(e) 235G and 1235G coin collectors—Disconnect, tape, and store the red lead from terminal 1 of coin relay.

Note: 191, 195, 196, and 197 G/GN sets do not require the modification covered in 3.02.

3.03 Install 446K diode between terminals A and E on coin chute terminal board (Fig. 2 and 3).

Caution: The polarity of the diode must be as shown in Fig. 3. Diode can be damaged if leads are stressed near the case. Leads should be supported close to the case during lead forming and installation to prevent damage.

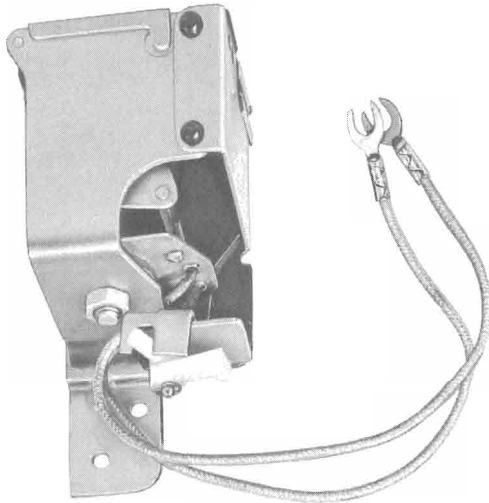
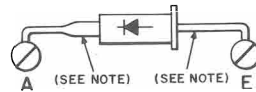


Fig. 1—D-180352 Kit



NOTE:
DO NOT BEND LEADS WITHIN
1/16 IN. OF CASE.

Fig. 3—Polarity of 446K Diode

AUTOMATIC NICKEL LOCAL OVERTIME FEATURE

3.04 If automatic nickel local overtime feature is provided:

- (a) On P-20A125 through P-20A130 and P-340222 coin chute and gong assemblies, disconnect leads from terminals A and E and remove P-349747 electromagnet (Fig. 4).
- (b) On P-340222 assembly, it will be necessary to remove P-347212 shield (Fig. 4) as follows:

- (1) Bend the tab outward on the left side of the shield.
- (2) Break the right side of the shield away from rivet by bending the shield in a repeated upward and downward motion.

(c) Install D-180352 Kit (Fig. 1 and 5) on the coin chute and gong assembly in the same position in which the electromagnet was located. Secure with existing hardware.

(d) Connect the leads to terminals A and E.

(e) After installing the kit, the following requirements must be met:

- (1) With the armature in the normal position (unoperated), the clearance between the lever and locking latch tab shall be .020 minimum and .060 maximum (Fig. 6). The locking latch tab is adjusted by bending only the top portion of the latch to meet this gap requirement.

- (2) With the coin chute mounted in the normal position and the armature fully operated, the locking latch tab shall clear the holding latch tab by .060 minimum (Fig. 7).

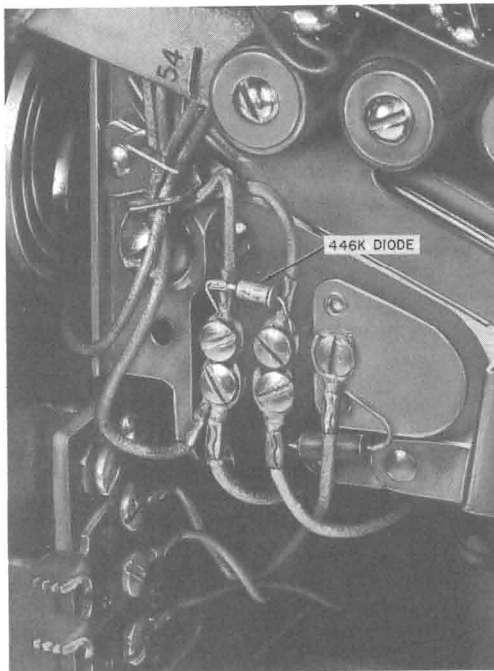


Fig. 2—Installation of 446K Diode

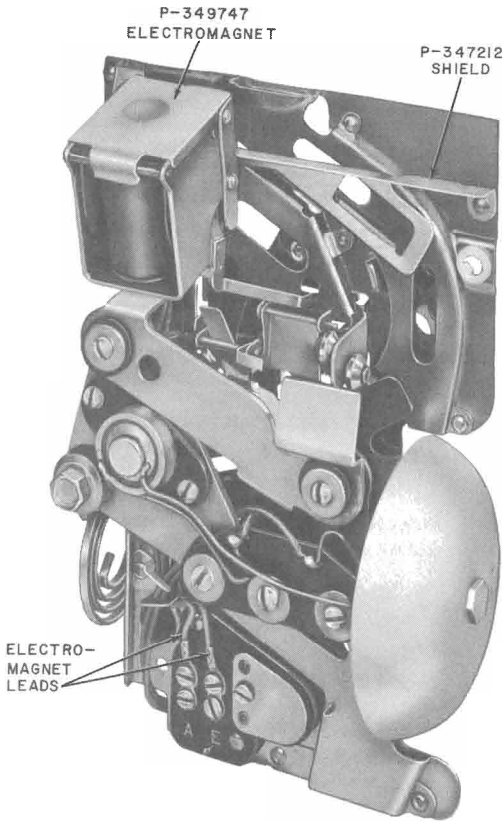


Fig. 4—Coin Chute and Gong Assembly Before Modification

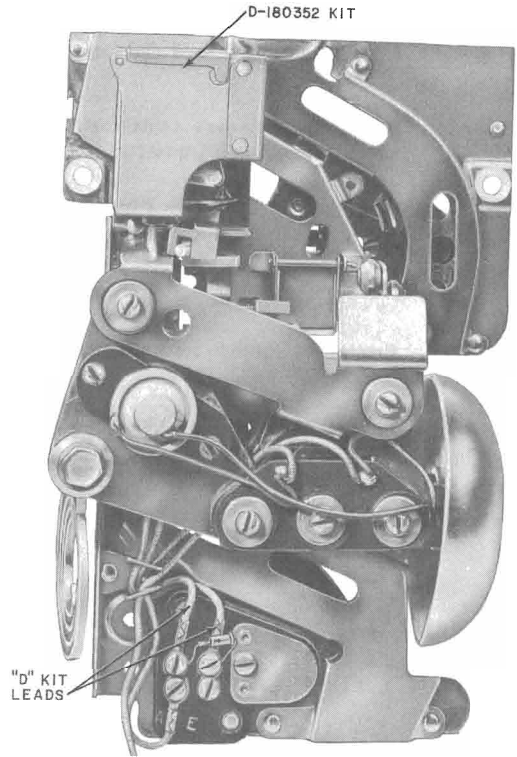


Fig. 5—Coin Chute and Gong Assembly-After Modification

4. TESTS

4.01 *Method*
STEP

ACTION

VERIFICATION

A. Dial Tone First

- | | | |
|---|-------------------------------------|--------------------------------------|
| 1 | Lift handset. | Dial tone is present. |
| 2 | Deposit nickel. | Nickel does not return (See Note 1). |
| 3 | Slowly operate coin release. | Nickel drops into return chute. |
| 4 | Deposit nickel, depress switchhook. | Nickel returned |

SECTION 506-100-106

STEP	ACTION	VERIFICATION
5	Release switchhook and dial any digit except "0" or "1".	Dial tone breaks (See Note 2).
6	Depress and release switchhook, deposit 2 nickels, 1 dime, and 1 quarter.	Coins pass through chute, strike bells and gong and are held at coin relay.
7	Dial test line code. (See Note 3.)	Audible ringing heard in handset.
8	Hang up handset.	Coins return.
9	Call operator, deposit nickel, dime and quarter.	Coins identified by operator.
10	Request operator to return coins.	Coins returned.
11	Request operator to call back. (Hang up handset)	Ringer operates at maximum volume.
12	Lift handset, listen for dial tone and dial number that requires initial rate deposit. (Do not deposit coin.)	Recorded announcement is heard (insufficient deposit).

B. Automatic Nickel Local Overtime

1	Lift handset and deposit nickel.	Nickel should not be returned (See Note 1).
2	Dial operator.	Nickel should pass through the chute, strike coin signal bell, and hold at coin relay. Nickel is returned when operator answers (See Note 3).
3	Replace handset.	

Note 1: Failure to verify Step 2 (Test A) and Step 1 (Test B)—446K diode is reversed or defective.

Note 2: Failure to verify Step 4 (Test A)—lead on terminal 1 on coin relay is not insulated and stored or defective dial.

Note 3: The test line code should be a number that requires deposit for connection and a number that will **not** be answered, otherwise the coins will be collected.

Note 4: Failure to verify Step 2 (Test B)—defective chute or electromagnet.

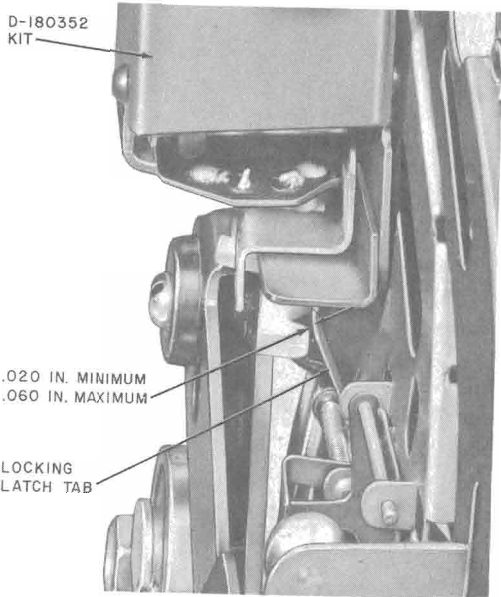


Fig. 6—Clearance Between "D" Kit Lever and Locking Latch Tab

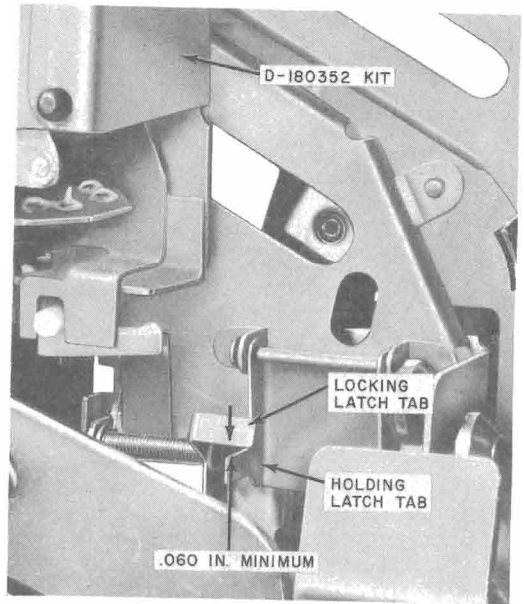


Fig. 7—Clearance Between Locking Latch Tab and Holding Latch Tab