

COIN TELEPHONE STATIONS

COIN HOPPER VANE REPLACEMENT

1. GENERAL

1.01 This section provides identification and installation information for field replacement of the coin vane.

2. IDENTIFICATION

2.01 The 840360572 replaceable coin vane (Fig. 1) is a part of D-180410 Kit of Parts.

2.02 This replaceable vane can be installed in all coin collectors and coin telephone sets having single-coil coin relays.

3. INSTALLATION

3.01 Remove upper housing, cover unit assembly, or open door and faceplate assembly to obtain access to coin relay.

3.02 With single slot coin telephone sets, remove coin chute-totalizer assembly, or 1AA chute, and return chute assembly.

3.03 To remove coin relay:

- (1) Remove dust cover.
- (2) Tag for later reference; then, disconnect leads from terminals G and 3 of coin relay.
- (3) Remove four mounting screws (one on each side and two at top-front).
- (4) Slide relay forward to clear trap and vane and lift upward.

3.04 To remove coin trap:

- (1) Move vane to right (Fig. 2).
- (2) Remove trap pin by sliding vertical portion over boss on front of hopper and sliding to the right.

- (3) Turn coin trap sideways and remove through opening. Handle trap lever spring carefully.

3.05 To remove old coin vane:



Do not drop particles into coin box or coin return. Stuff a cloth or equivalent in the return chute during modification.

- (1) With long nose pliers and screwdriver, break out old damaged vane **using caution to avoid injury.**

3.06 To install new vane in hopper:

- (1) Refer to Fig. 1 and carefully break handle off new 840360572 vane. This handle serves as the new hinge pin.
- (2) Position vane in hopper (Fig. 3) through left side opening and grasp with long nose pliers (Fig. 4).
- (3) Insert pin (Fig. 4) through hopper housing and vane until indentations on pin snap in place in vane (Fig. 5). Ensure that vane moves freely.

3.07 To install coin trap and associated parts:

Note: If trap-lever spring becomes damaged, use a new P-10E702 spring (Fig. 2).

- (1) Place trap lever and spring on a flat surface (Fig. 6).
- (2) Use a KS-6320 orange stick to bend trap lever spring around center bar of trap lever (Fig. 6 and 7)

Caution: *Avoid distorting trap lever spring during bending and inserting operations.*

- (3) Partially insert trap pin into hole in hopper

SECTION 506-100-110

- (4) Place trap lever on trap pin (Fig. 8)
- (5) Insert coin trap in hopper and engage pin in trap (Fig. 9)

Caution: Be sure that trap lever spring is between trap pin and hopper (Fig. 10).

- (6) Push trap pin into position.

3.08 To install coin relay:

- (1) Move vane to right.
- (2) With trigger tripped, place relay on hopper.
- (3) Slide relay back until trigger enters opening in hopper and trap-lever tab enters slot in selector card (Fig. 11).
- (4) Close armature manually by pressing downward on ear on left side of selector card.
- (5) Slide relay back, vane stem should enter hole in cam and mounting screw holes should line up.
- (6) Replace mounting screws.
- (7) Trigger should have some end play and armature, trap, and vane should operate and release without binding.
- (8) If trigger binds, loosen upper mounting screws.
- (9) If trigger is free with upper mounting screws loose, retighten screws evenly.
- (10) Replace relay if trigger still binds.
- (11) Connect the two leads to terminals G and 3 on coin relay.

3.09 With single slot coin telephone sets, install return chute assembly and coin chute-totalizer assembly or 1AA chute.

3.10 Close door and faceplate assembly, install cover unit assembly, or install upper housing.

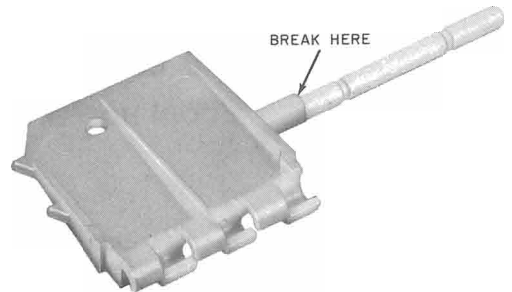


Fig. 1—840360572 Replaceable Coin Vane

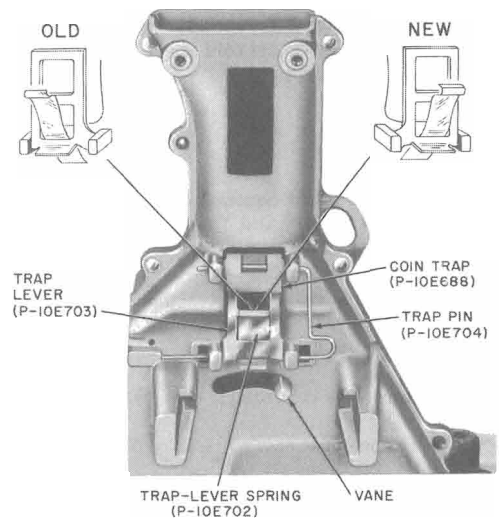


Fig. 2—Trap Lever Spring and Trap Lever Assembled

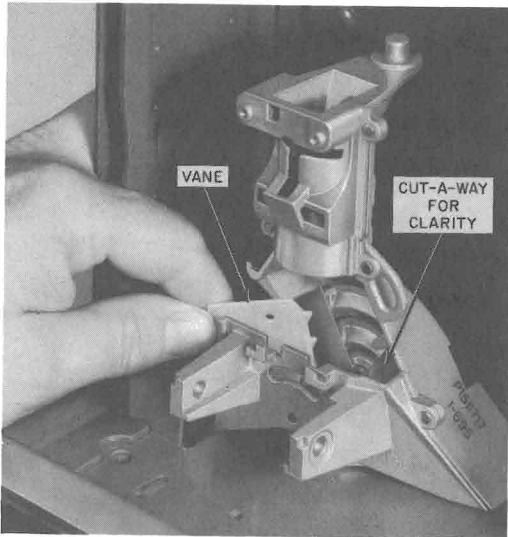


Fig. 3—Inserting Vane

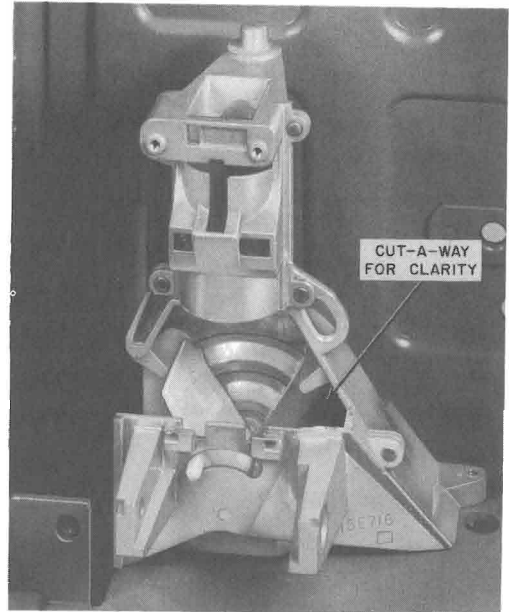


Fig. 5—Vane Installed

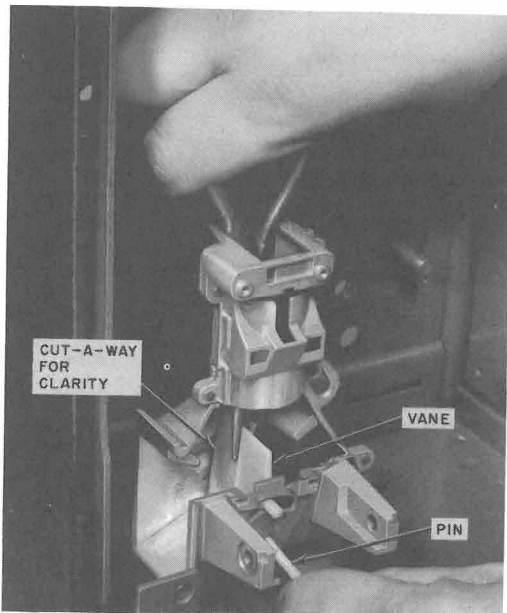


Fig. 4—Installing Pin in Vane

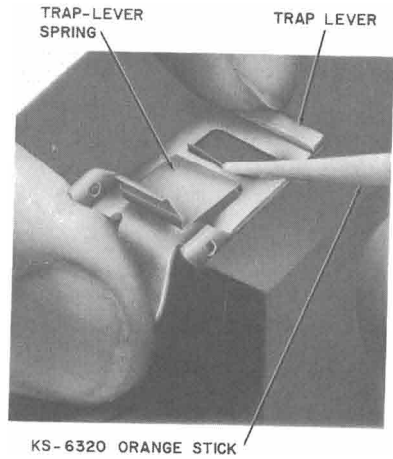


Fig. 6—Bending Trap Lever Spring

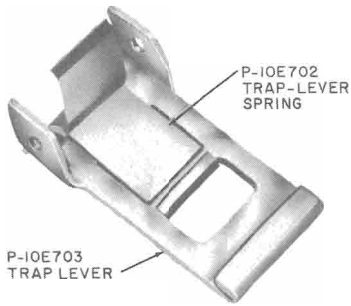


Fig. 7—Trap Lever Spring Assembled on Trap Lever

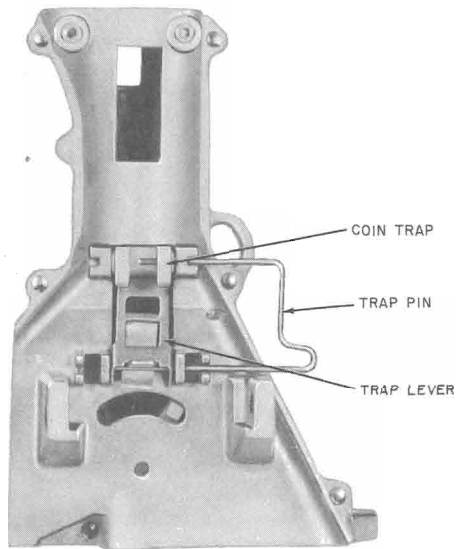


Fig. 9—Placing Coin Trap on Hopper (Typical)

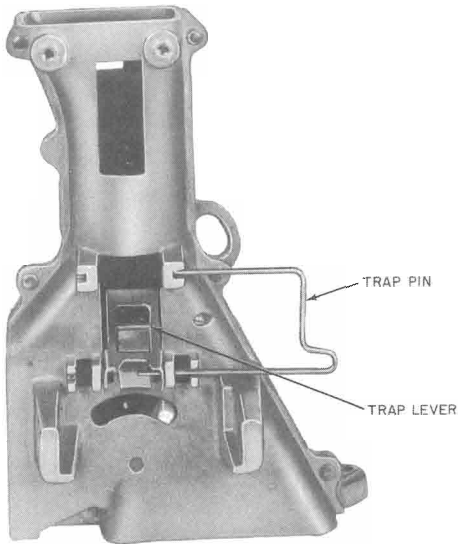


Fig. 8—Placing Trap Lever Pin on Hopper (Typical)

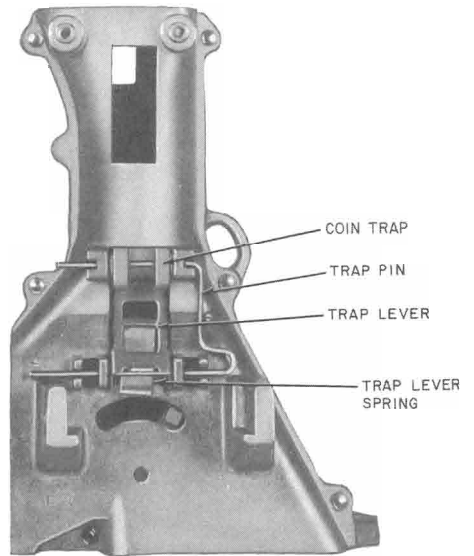


Fig. 10—Trap Lever Spring Under Trap Pin (Typical)

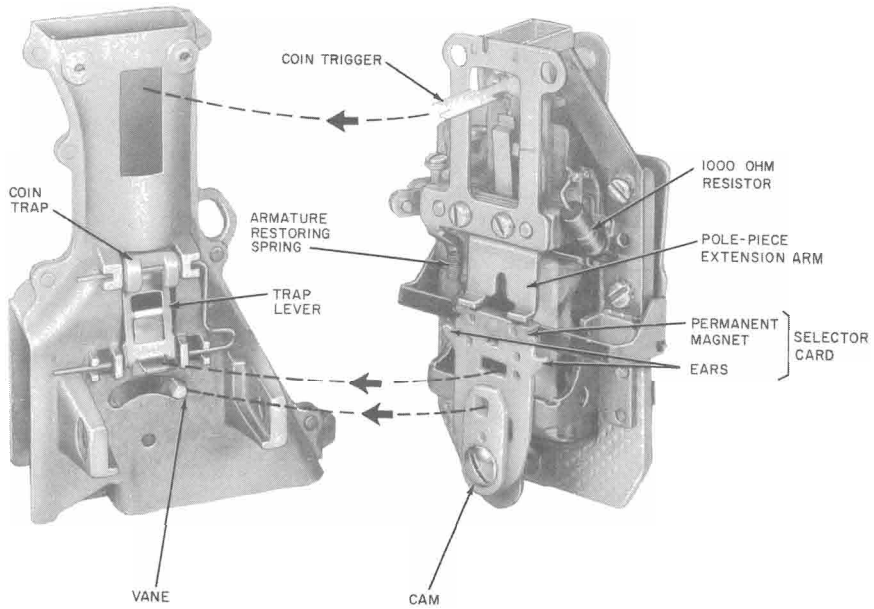


Fig. 11—Coin Hopper and Rear View of Coin Relay (Typical)