

KS-19594 DIALER SWITCHBOARD AND MISCELLANEOUS KEY EQUIPMENT CONNECTIONS

1. GENERAL

1.01 This section is reissued to:

- Change connection terminations of dialer telephone cord at equipment, Table A

Changes or additions in the body of tables are indicated by shaded areas.

2. CONNECTIONS



The power supply cord should not be connected to the AC power line receptacle when removing the housing or making any connections.

2.01 ♦ **Power Supply Unit:** Refer to dialer installation section for mounting instructions.♦

2.02 **Dialer Telephone Cord:**

- Standard six conductor cord
- Secure inside the equipment under a cord clamp or by taping to set mounting cord or cable.
- Dress wires to allow proper operation of equipment

2.03 Refer to appropriate tables and figures in this section for terminations of dialer cord leads.



Test the operation of the dialer by recording and calling the telephone number usually called for job completion. For installation with speakerphones, be sure to test with speakerphones operating to insure proper connection to off normal contacts.

2.04 Connection Index:

Table A—Dialer Connections To Consoles, Key Equipment, Apparatus Units, and Key Mountings

Table B—Dialer Connections To Switchboards

Fig. 1—KS-19594 Dialer, Power Supply Connections

Fig. 2—KS-19594 Dialer Connections to Switchboard With Both Rotary and TOUCH-TONE Dials

Fig. 3—KS-19594 Dialer Connections Requiring KTU, to Switchboards With Both Rotary and TOUCH-TONE Dials

Fig. 4—KS-19594 Dialer Connections to Switchboard With TOUCH-TONE Dials Only

Fig. 5—KS-19594 Dialer Connections Requiring KTU, to Switchboards With TOUCH-TONE Only

TABLE A

DIALER CONNECTIONS TO CONSOLES, KEY EQUIPMENT, APPARATUS UNITS, AND KEY MOUNTINGS

| KS-19594 DIALER TEL CORD | | CONSOLES WITH ROTARY DIALS | | | | | |
|--|-----|---|--|-----------------------|---|--------------------------------------|--|
| | | 1A 2A | 3A | 4A | 3C1 3C2 4B1 4B2 | 5A 5B 6A 6B | 10A, 11A FOR USE WITH 2A AUTOMATIC CALL DISTRIBUTION SYSTEM |
| P U L S I N G | R | Remove BL dial lead from 1 of the dial term. strip and | Remove Y dial lead from 6 of term. strip TS1 | | Remove BL dial lead from 2 of term. strip TS2 and | Remove BL lead from F of the network | |
| | and | | | | | | |
| | | Connect to R of dialer tel cord with D-161488 connector | | | | | |
| | G | 1 of the dial term. strip | 6 of term. strip TS1 | | 2 of term. strip TS2 | F of the network | |
| O F F - N O R M A L | W | GN* term. on the network | 1 of term. strip TS2 | | GN term. on the network | | |
| | BL | R* term. on the network | 2 of term. strip TS2 | 14 of term. strip TS2 | R term. on the network | | |
| S P E A K E R P H O N E | Y | Insulate and store in the console | | | | | |
| | BK | Insulate and store in the console | | | | | |

* Connect to terminals 3 and 4 of dial terminal strip when console is used with 757A PBX.

TABLE A (Cont)

DIALER CONNECTIONS TO CONSOLES, KEY EQUIPMENT, APPARATUS UNITS, AND KEY MOUNTINGS

| KS-19594 DIALER TEL CORD | | CONSOLES WITH ROTARY DIALS (Cont) | | | | | |
|--|---|--|--|--|--|--|--|
| | | 10A, 11A FOR USE WITH 3A ACD SYS | 10B 11B | 12A1 | 12B1 | 14A1 14A3 15A1 15A3 | 16-TYPE |
| P U L S I N G | R | Remove BL dial lead from 7 of term. board TB1 and | Remove BL dial lead from 3 of term. board TB1 and | Remove BL dial lead from 9 of term. board TB3 and | Remove BL dial lead from 2 of term. board TB2 and | Remove BL dial lead from 8 of term. board and | Remove BL dial lead from 9 of term. board TB1 and |
| | Connect to R of dialer tel cord with D-161488 connector | | | | | | |
| | G | 7 of term. board TB1 | 3 of term. board TB1 | 9 of term. board TB3 | 2 of term. board TB2 | 8 of term. board | 9 of term. board TB1 |
| O F F - N O R M A L | W | GN term. on the network | | | | | |
| | BL | R term. on the network | | | | | |
| S P E A K E R P H O N E | Y | Insulate and store in console | | | | | TB1-4* |
| | BK | Insulate and store in console | | | | | TB1-9* |

* This is not a speakerphone function.

TABLE A (Cont)

DIALER CONNECTIONS TO CONSOLES, KEY EQUIPMENT, APPARATUS UNITS, AND KEY MOUNTINGS

| KS-19594 DIALERS TEL CORD | | APPARATUS UNITS WITH ROTARY DIALS | | | KEY EQUIPMENT WITH ROTARY DIALS | | KEY MOUNTINGS WITH ROTARY DIALS | | |
|--|---|---|---|--|---|--|---|---|---|
| | | 12A, 14A FOR USE WITH 2A AUTOMATIC CALL DISTRIBUTION SYSTEM | 12A, 14A FOR USE WITH 3A AUTOMATIC CALL DISTRIBUTION SYSTEM | 12B, 14B FOR USE WITH 2A OR 3A AUTOMATIC CALL DISTRIBUTION SYSTEM | 4A USING 634(MD) SUBSCRIBER SET AND 6026 TYPE CONTROL KEY | 4A USING 685 SUB- SCRIBER SET AND 6026 TYPE CONTROL KEY | 400 SERIES USING 688-TYPE OR 690-TYPE SUBSCRIBER SET | 700 SERIES USING 750-TYPE APPARATUS UNIT | 700 SERIES USING 751-TYPE APPARATUS UNIT |
| P U L S I N G | R | Remove BL dial lead from F of the network and | Remove BL dial lead from term. 5 of TB1 and | Remove BL dial lead from term. 3 of TB1 and | Remove G inside wire from L2-GN sub set and | Remove G inside wire from L2 in sub set and | Remove BL dial lead from F of the network and | Remove Y lead from Y term. of the dial and | |
| | Connect to R of dialer tel cord with D-161488 connector | | | | | | | | |
| | G | F of the network | 5 term. of TB1 | 3 term. of TB1 | L2-GN term. in sub set | L2 term. in sub set | F term. of the network | Y term. of the dial | |
| O F F - N O R M A L | W | GN term. of the network | | | BK term. of the sub set | GN term. of the network | | 1 term. of the apparatus unit term. strip | 17 term. of the handset mounting |
| | BL | R term. of the network | | | | | | | 2 term. of the apparatus unit term. strip |
| S P E A K E R P H O N E | Y | Insulate and store | | | | | | | |
| | BK | Insulate and store | | | | | | | |

TABLE A (Cont)

DIALER CONNECTIONS TO CONSOLES, KEY EQUIPMENT, APPARATUS UNITS, AND KEY MOUNTINGS

| KS-19594 DIALER TEL CORD | | CONSOLES WITH TOUCH-TONE DIALS | | | | |
|--|---|--|-------------------------------|---|---|---|
| | | 1A 2A | 1B 2B | 3C3 3C4 4B3 4B4 | 5B 6B | 10B 11B |
| P U L S I N G | R | Remove G dial lead from term. 7 of the term. board and | | Remove G dial lead from 11 of term. strip TS2 and | Remove G dial lead from 11 of term. strip TS2 and | Remove G dial lead from 1 of the 151E amplifier and |
| | Connect to R of dialer tel cord with D-161488 connector | | | | | |
| | G | Term. 7 of the term. board | 11 of term. strip TS2 | 11 of term. strip TS2 | 1 of 151E amplifier | |
| O F F - N O R M A L | W | GN term. on the network* | GN term. on the network | 3 of term. strip TS2 | GN term. on the network | |
| | BL | R term. on the network* | R term. on the network | 4 of term. strip TS2 | R term. on the network | |
| S P E A K E R P H O N E | Y | Insulate and store | | | | |
| | BK | Insulate and store | | | | |

* Connect to terminals 9 and 10 of the TT dial terminal board when console is used with 757A PBX

TABLE A (Cont)

DIALER CONNECTIONS TO CONSOLES, KEY EQUIPMENT, APPARATUS UNITS, AND KEY MOUNTINGS

| KS-19594 DIALER TEL CORD | | CONSOLES WITH TOUCH-TONE DIALS | | | APPARATUS UNIT WITH TOUCH-TONE DIAL | KEY MOUNTING WITH TOUCH-TONE DIAL |
|--|--------------|---|--|---|---|---|
| | | 12B2 | 14A2 14A4 15A2 15A4 | 16-TYPE† | 12B, 14B FOR USE WITH 2A OR 3A ACD SYS | 1400 SERIES USING 1690-TYPE SUB SET |
| P U L S I N G | R | Remove G dial lead from 7 of term. strip TB4 and Connect to R of dialer tel cord with D-161488 connector | Remove G dial lead from 4 of the term. board and | 10 of Term. strip TB1 and remove strap between term. strip TB1 8 and 9 | Remove G dial lead from term. 1 of the 151E amplifier and Connect to R of dialer tel cord with D-161488 connector | Remove G dial lead from L1 of the net- work and |
| | G | 7 of term. strip TB4 | 4 of the term. board | 9 of the term. strip TB1 | Term. 1 of the 151E amplifier | L1 of the network |
| O F F - N O R M A L | W | GN term. on the network | | | | |
| | BL | R term. on the network | | | | |
| S P E A K E R P H O N E | Y | Insulate and store | | TB1-4* | Insulate and store | |
| | BK | Insulate and store | | TB1-9* | Insulate and store | |
| 61A Filter Leads | R Y BK | | | TB1-8 TB1-10 TB1-9 | | |

◆ * This is not a speakerphone function.

† Add 61A filter (ordered separately) for RF suppression. ◆

TABLE B
DIALER CONNECTIONS TO SWITCHBOARDS

| KS-19594 DIALER TEL CORD | | SWITCHBOARDS | | |
|--|----|--|--|-------------------------------|
| | | 551A, B, D 552A, B, D, E 605A (NOTES 1, 2, 8) | 555 556A 557A, B (NOTES 3, 4, 5, 8) | 608A, B, D (NOTES 6, 7, 8) |
| P U L S I N G | R | Term. 3 of 10-141 term. strip | | Term. 3 of 10-141 term. strip |
| | G | Term. 5 of 10-141 term. strip | Term. 2 of 10-141 term. strip | Term. 5 of 10-141 term. strip |
| O F F - N O R M A L | W | Term. 1 of 10-141 term. strip | Term. 8 of 10-141 term. strip | Term. 1 of 10-141 term. strip |
| | BL | Term. 2 of 10-141 term. strip | Term. 9 of 10-141 term. strip | Term. 2 of 10-141 term. strip |
| S P E A K E R P H O N E | Y | Insulate and store | | |
| | BK | Insulate and store | | |

SECTION 512-125-430

Note 1: Mount 10-141 terminal strip under keyshelf adjacent to wire entrance hole for dial. Rewire 6044B dial mounting as follows:

| ROTARY OR ROTARY AND TOUCH-TONE DIALS (FIG. 2) | | | | |
|--|-------------------|-------------------|----------------|-----------|
| LEAD | REMOVE FROM 6044B | CONNECT TO 10-141 | CONNECT STRAPS | |
| | | | FROM 6044B | TO 10-141 |
| R | R | 1 | R | 1 |
| G or BL | GN | 2 | GN | 2 |
| BL | B | 3 | | |
| Y | Y | 4 | Y | 4 |
| | | | B | 5 |

| TOUCH-TONE DIAL ONLY (FIG. 4)* | | | | |
|--------------------------------|-------------------|--------------------|---------------|-----------|
| LEAD | REMOVE FROM 6044B | REMOVE FROM 10-141 | CONNECT STRAP | |
| | | | FROM 10-141 | TO 10-141 |
| R | R | 1 | | |
| G or BL | GN | 2 | | |
| BL | B | 5 | | |
| Y | Y | 4 | 4 | 5 |

* 551 PBX — Place strap from 1 of B relay to 2RT of F relay.

Note 2: If dialer is disconnected, leave 10-141 terminal strip in place and strap 3 to 5.

Note 3: Mount 17B KTU in 105B apparatus box on side of switchboard and 10-141 terminal strip under keyshelf adjacent to wire entrance hole for dial. Rewire 6044B dial mounting as follows:

| ROTARY OR ROTARY AND TOUCH-TONE DIALS (FIG. 3) | | | | | |
|--|-------------------|-------------------|----------------|----------|--------|
| LEAD | REMOVE FROM 6044B | CONNECT TO 10-141 | CONNECT STRAPS | | |
| | | | FROM 10-141 | TO 6044B | TO 17B |
| R | R | 1 | 1 | R | 9 |
| G or BL | GN | 3 | 3 | | 7 |
| BL | B | 7 | 7 | | 5 |
| Y | Y | 4 | 4 | Y | |
| W | W | 6 | 6 | W | |
| | | | 2 | GN | |
| | | | 5 | B | 4 |
| | | | 8 | | 1 |

Note 4: Connect terminal 9 of 10-141 terminal strip to PBX ground and terminal 3 of 17B KTU to PBX battery. If PBX battery is -48 volts, connect 1000-ohm resistor (KS-13490L1) in battery lead to 17B KTU:

| TOUCH-TONE DIALS ONLY (FIG. 5) | | | | | |
|--------------------------------|-------------------|--------------------|----------------|-----------|--------|
| LEAD | REMOVE FROM 6044B | REMOVE FROM 10-141 | CONNECT STRAPS | | |
| | | | FROM 10-141 | TO 10-141 | TO 17B |
| R | R | 1 | 1 | | 9 |
| G or BL | GN | 2 | | | |
| B | B | 5 | 5 | | 4 |
| Y | Y | 4 | 4 | 2 | |
| W | W | 6 | 6 | 5 | |
| | | | 3 | | 7 |
| | | | 7 | | 5 |
| | | | 8 | | 1 |

Note 5: If dialer is disconnected, remove 17B KTU. Leave 10-141 terminal strip and strap terminals 2 to 3 and 5 to 7.

Note 6: Mount 10-141 terminal strip under keyself adjacent to wire entrance hole for dial. Rewire 6044B dial mounting as follows using strapwire and D-161488 connectors to extend wiring from KS-16323 connector:

| ROTARY OR ROTARY AND TOUCH-TONE DIALS (FIG. 2) | | | | |
|--|-------------------|-------------------|----------------|----------|
| LEAD FROM KS-16323 CONN PIN NUMBER | REMOVE FROM 6044B | CONNECT TO 10-141 | CONNECT STRAPS | |
| | | | FROM 10-141 | TO 6044B |
| 1 | B | 3 | | |
| 2 | Y | 4 | 4 | Y |
| 3 | R | 1 | 1 | R |
| 21 | GN | 2 | 2 | GN |
| | | | 5 | B |

| TOUCH-TONE DIAL ONLY (FIG. 4) | | | | |
|------------------------------------|-------------------|--------------------|---------------|-----------|
| LEAD FROM KS-16323 CONN PIN NUMBER | REMOVE FROM 6044B | REMOVE FROM 10-141 | CONNECT STRAP | |
| | | | FROM 10-141 | TO 10-141 |
| 1 | B | 5 | | |
| 2 | Y | 4 | 4 | 5 |
| 3 | R | 1 | | |
| 21 | GN | 2 | | |

Note 7: If dialer is disconnected, leave 10-141 terminal strip in place and strap terminals 3 and 5.

Note 8: Dialer may be connected as shown in Table B to any PBX equipped with rotary or both rotary and TOUCH-TONE dials or TOUCH-TONE dials only. See Fig. 2, 3, 4, and 5. Dialer connections to an early model PBX should be engineered locally.

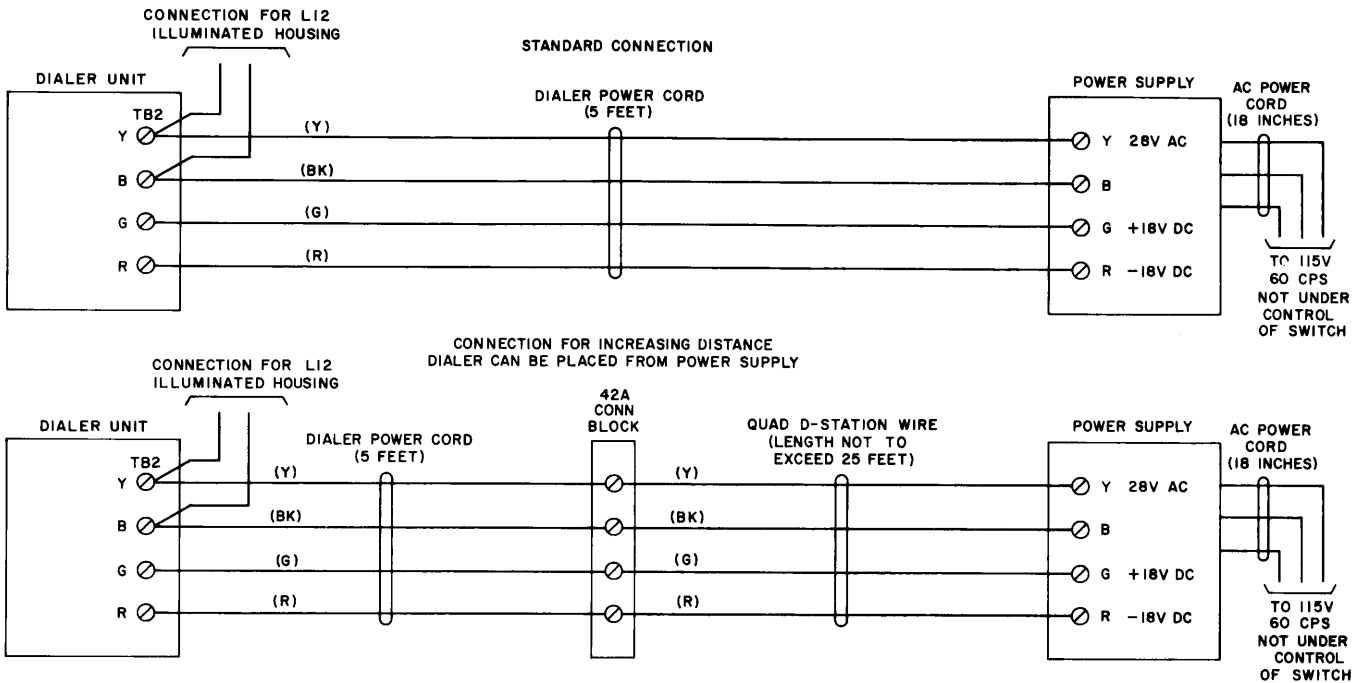


Fig. 1—KS-19594 Dialer, Power Supply Connections

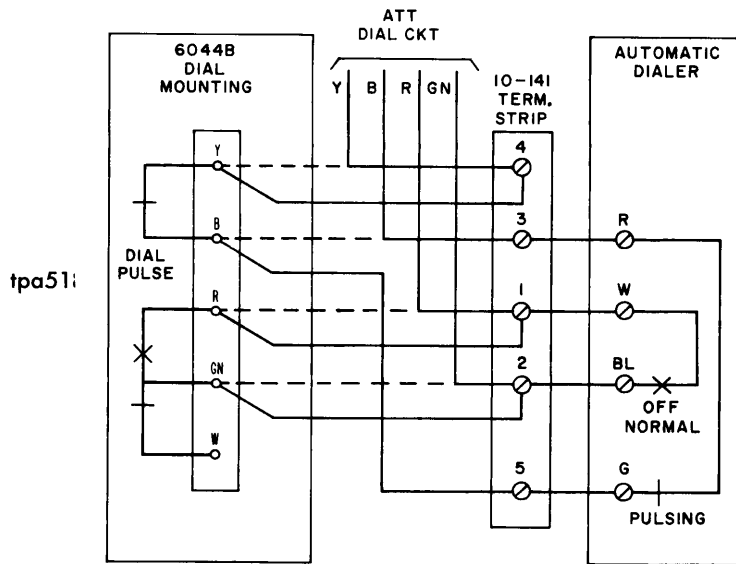
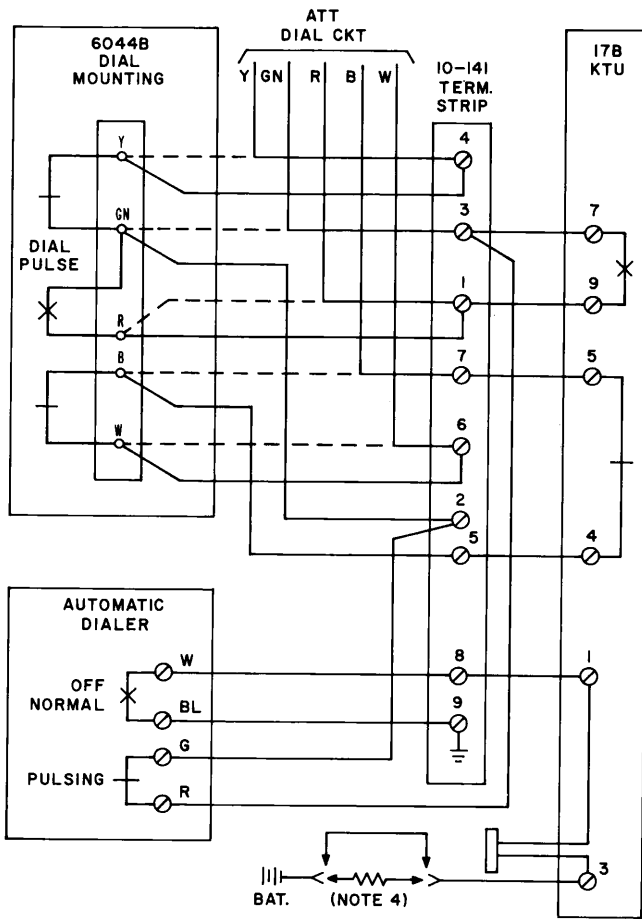


Fig. 2—KS-19594 Dialer Connections to Switchboards With Both Rotary and TOUCH-TONE Dials



◆ Fig. 3—KS-19594 Dialer Connections Requiring a KTU, to Switchboards With Both Rotary and TOUCH-TONE Dials ◆

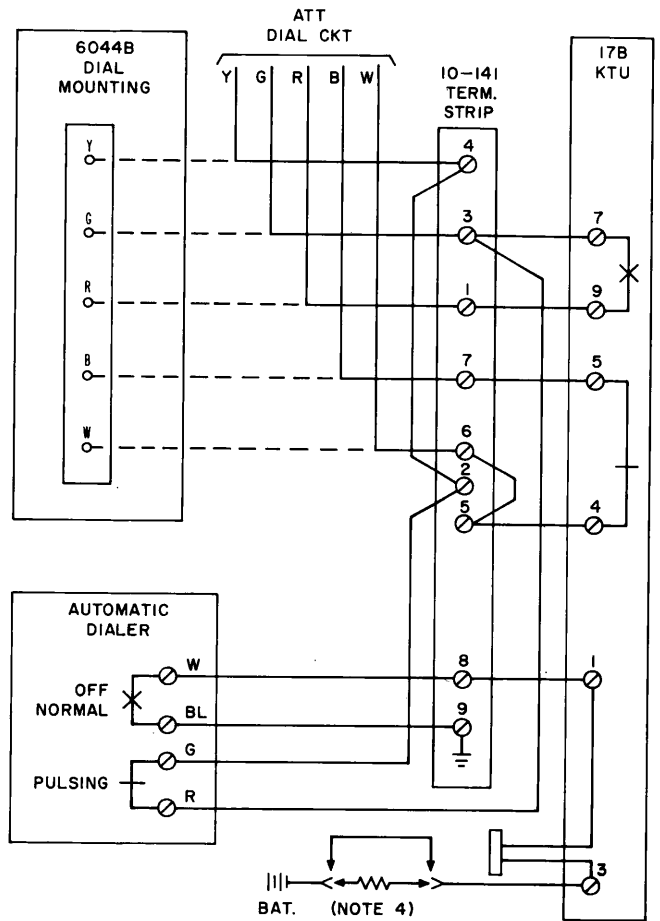


Fig. 5—KS-19594 Dialer Connections, Requiring a KTU, to Switchboards With TOUCH-TONE Dials Only

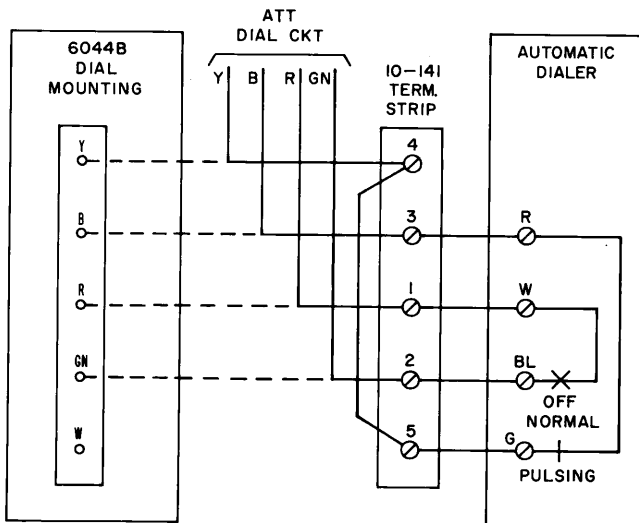


Fig. 4—KS-19594 Dialer Connections to Switchboards With TOUCH-TONE Dials Only

