

SERVICE

544-TYPE TELEPHONE SET

1. GENERAL

1.01 This section provides maintenance and connection information for the 544A (MD) and 544B (MD) telephone sets.

2. MAINTENANCE

Components

2.01 Maintenance of handsets, dials, and ringers is outlined in sections covering these components.

Removing and Replacing Housing

2.02 To remove housing, loosen captive screws in base of set. Lift housing up and toward front of set.

2.03 To replace housing, guide lower front of housing over pushbuttons, align housing with base of set and gently press housing into place. Tighten captive screws in base of set.

Mounting Cord

2.04 Replace mounting cord of early manufacture (Fig. 1) as follows:

- (1) Remove dial from mounting bracket.
- (2) Remove terminal screws.
- (3) Disconnect spade-tipped conductors and wafer section.
- (4) Disengage cord stay hook from right leg of dial mounting bracket.

2.05 Mounting cords of later manufacture feature a slotted wafer strip (Fig. 2) to facilitate replacement.

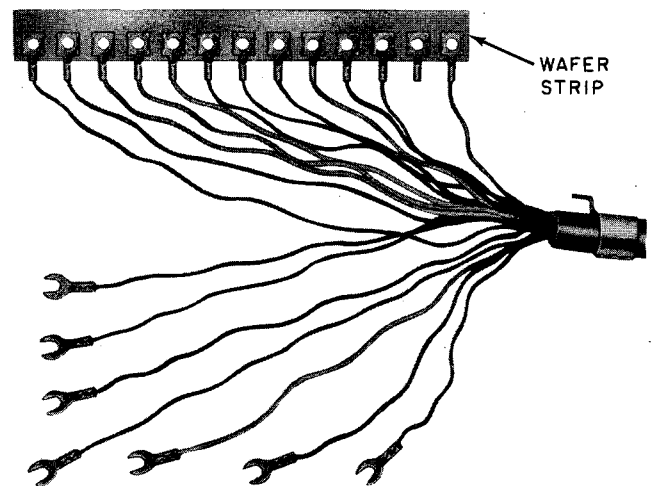


Fig. 1—Nonslotted Wafer Strip End of Mounting Cord, Early Type

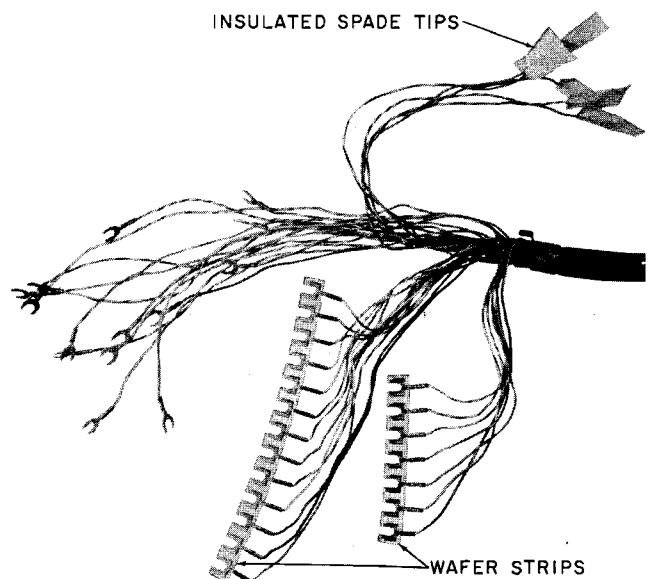


Fig. 2—Slotted Wafer Strip End of Mounting Cord, Later Type

SECTION 502-541-402

Pushbuttons

- 2.06** Replace cracked pushbuttons or collars.
Remove accumulated dirt or film from collars and pushbuttons with a water dampened cloth.

Do not use solvents of any kind. If cleaning does not correct binding of pushbuttons, replace button and collar assembly. It should be carefully aligned to avoid interference with removal or replacement of housing.

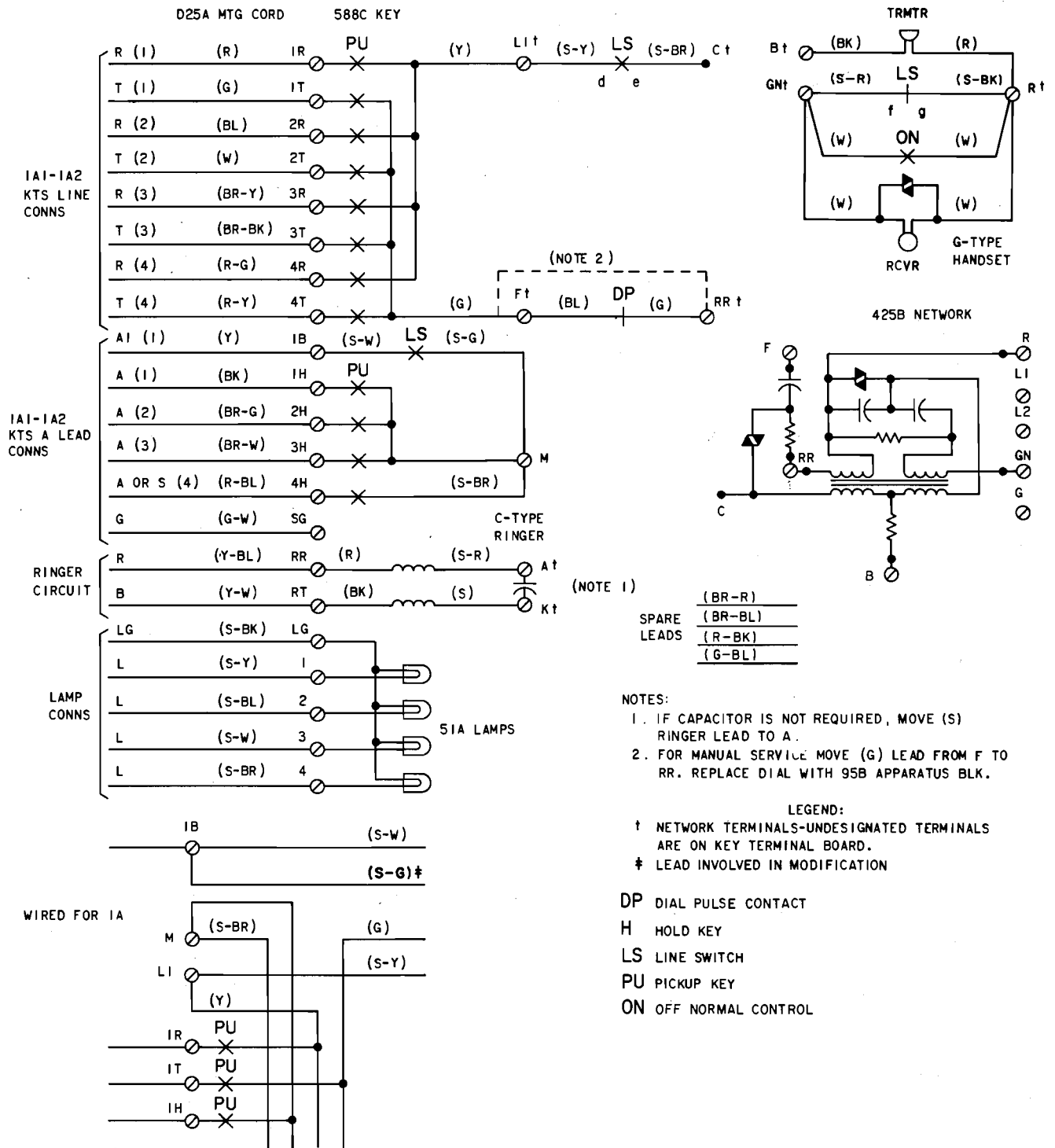


Fig. 3-544A (MD) Telephone Set, Connections

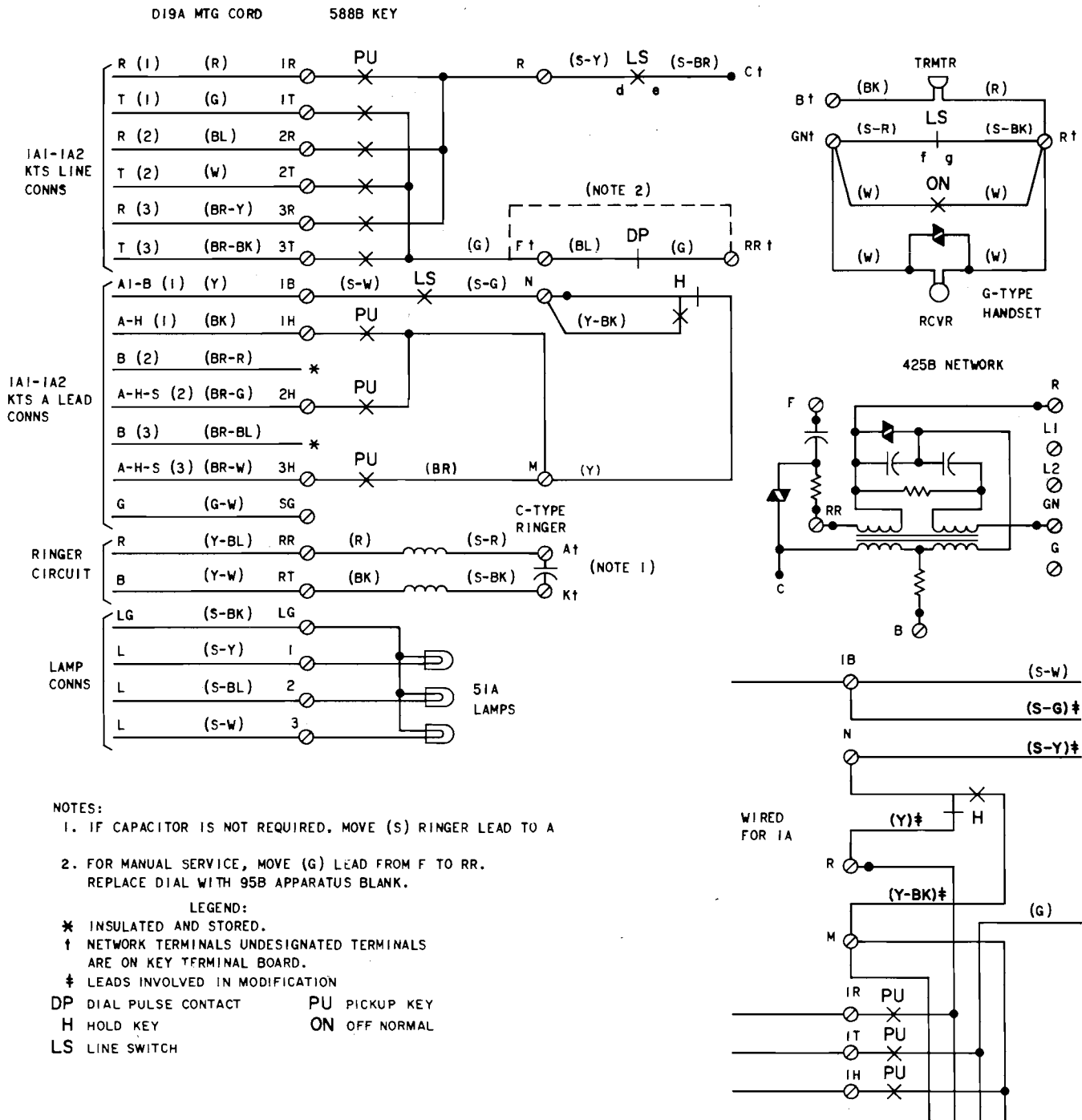


Fig. 4—544B (MD) Telephone Set, Connections

TABLE A
TERMINATIONS AT CONNECTING BLOCK FOR
544A (MD) AND 544B (MD) TELEPHONE SETS

CKT	LEAD DESIG		KEY CABLE	CONN BLOCK		MTG CORD LEADS		
	1A	1A1	D TYPE	TERM.	NO.	544A(MD)	544B(MD)	
Line 1	R	R	BL	1	1 Block Nearest Cord Butt	R	R	
	T	T	W	2		G	G	
	—	A1	O	4		Y	Y	
	—	A	W	5		BK	BK	
	Line 2	R	R	G		6	BL	BL
T		T	W	7		W	W	
—		—	BR	9		BR-R*	BR-R	
—		A	W	10		BR-G	BR-G	
Line 3	R	R	S	3		2	BR-Y	BR-Y
	T	T	W	8			BR-BK	BR-BK
	—	—	BL	1	BR-BL*		BR-BL	
	—	A	R	2	BR-W		BR-W	
Line 4 and Sig	R	R	O	4	3 Place Straps		R-G	
	T	T	R	5			R-Y	
	—	—	G	6			R-BK*	
Sig Grd	S	A-S	R	7			R-BL	
	G	G	BL	1		G-W	G-W	
Ringer or Buz			BK	2		4		
	R	R	O	4			Y-BL	Y-BL
Lamp 1	B	B	BK	5			Y-W	Y-W
	L	L	BL	1			S-Y	S-Y
Lamp 2	LG	LG	Y	2			S-BK	S-BK
	L	L	O	4	S-BL		S-BL	
Lamp 3	LG	LG	Y	5	Place Straps		S-W	S-W
	L	L	G	6			S-BR	
Lamp 4	LG	LG	Y	7				
	L	L	BR	9				
	LG	LG	Y	10				
			S	8				
		Y	3					

* Not used in set.

TABLE B
PICKUP-SIGNAL KEY CONVERSION

KEY TEL SET	CONVERTIBLE KEY OPTIONS	KEY LEADS	
		S-BR	BR
544A (MD)	PPPP	M	
	PPPS	SG	
544B (MD)	HPPP		M
	HPPS		SG