

TELEPHONE SETS — 712B

CONNECTIONS

1. GENERAL

1.01 A ringer is not provided with these sets.

If a ringer is required, an external (E1-type) ringer must be ordered and installed separately. See section covering E1-type ringers for connections.

1.02 This section is reissued to remove connections for 1A home interphone, 2A farm interphone, and 3-type speakerphone systems which can be found in appropriate sections in Division 512.

2. CONNECTION INDEX

Table A — Modification for 2-Line Pickup, Exclusion on Line 1, and Signaling (Used Without 1A1 or 1A2 KTS)

Table B — Modification for 1-Line Pickup, Cutoff Feature for Extension Station or External Line Ringer

Fig. 1 — 712B Telephone Set, Wired for 2-Line Pickup, Hold on Line 1, and Signaling (Used Without 1A1 or 1A2 KTS)

Fig. 2 — 712B Telephone Set, Wired for 1-Line Pickup, Hold, and Secretarial Service (Used Without 1A1 or 1A2 KTS)

Fig. 3 — 712B Telephone Set, Wired for 2-Line Pickup, Exclusion on Line 1, and Signaling (Used With 1A1 or 1A2 KTS)

Fig. 4 — 712B Telephone Set, Wired for 1-Line Pickup, Cutoff Feature for Extension Station or External Line Ringer

TABLE A

MODIFICATION FOR 2-LINE PICKUP, EXCLUSION ON LINE 1,
AND SIGNALING (USED WITHOUT 1A1 OR 1A2 KTS)

WIRE OR LEAD	COLOR	REMOVE FROM		CONNECT TO		INSULATE AND STORE
		TERM. STRIP	NET.	TERM. STRIP	NET.	
Line Switch	Y	E1			A	
	BR	E1			G	
638A Line Key	S	8				.
	W	7			A	
Exclusion Switch	BR	1		E1		
	W	3		8		
	Y			1		
	BL			E1		
	S			10		
	O			7		
D14L Mtg Cord	V-G		RR		A	

TABLE B

MODIFICATION FOR 1-LINE PICKUP, CUTOFF FEATURE FOR
EXTENSION STATION OR EXTERNAL LINE RINGER

WIRE OR LEAD	COLOR	REMOVE FROM		CONNECT TO		INSULATE AND STORE
		TERM. STRIP	NET.	TERM. STRIP	NET.	
Line Switch	BR	E1		8		
Exclusion Switch	BR	1				.
638A Line Key	R	1				.
	W-O		G	E1		
Strap (MIW Cord or equivalent)				3 ←	→ F	

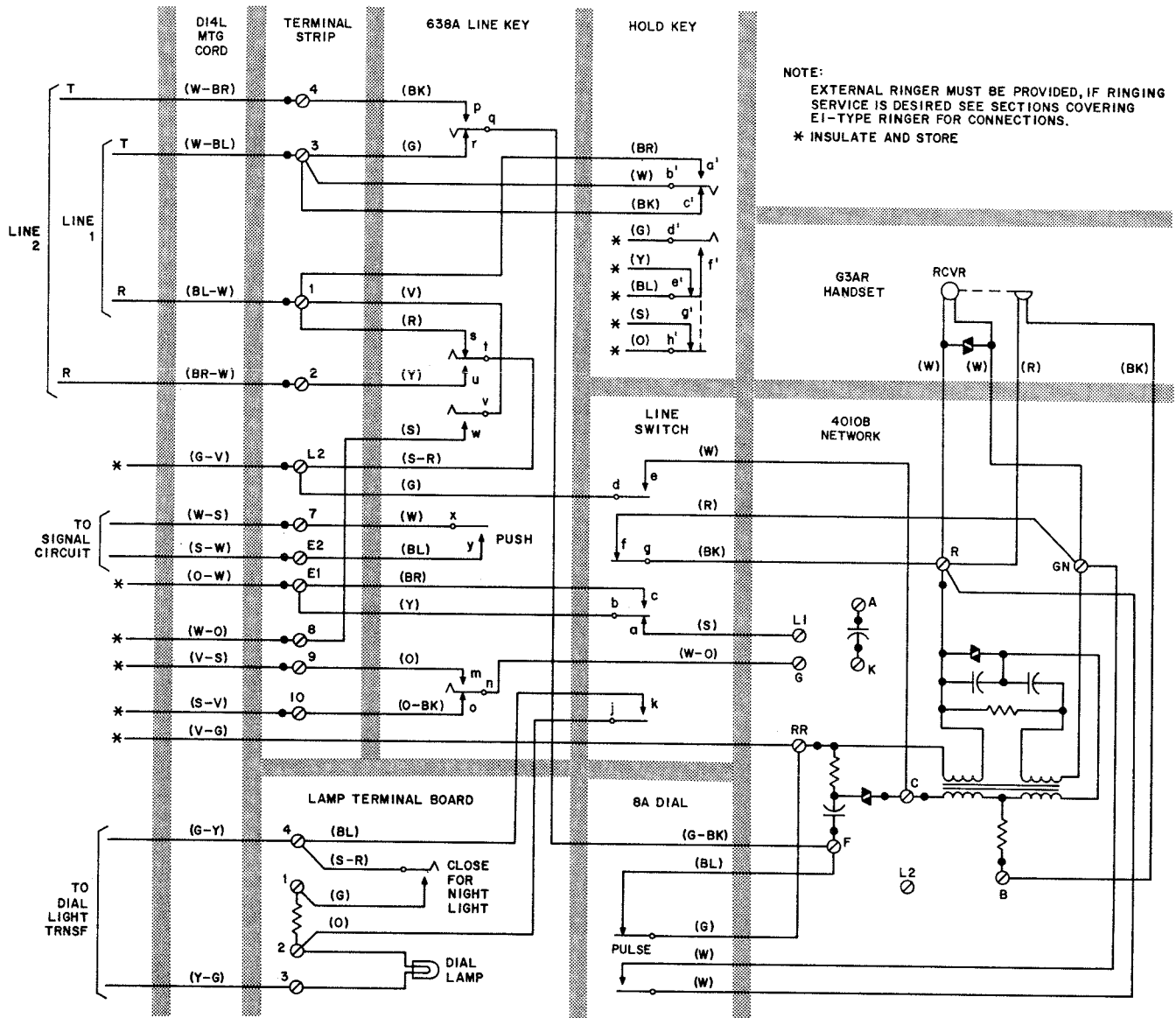


Fig. 1—712B Telephone Set, Wired for 2-Line Pickup, Hold on Line 1, and Signaling (Used Without 1A1 or 1A2 KTS)

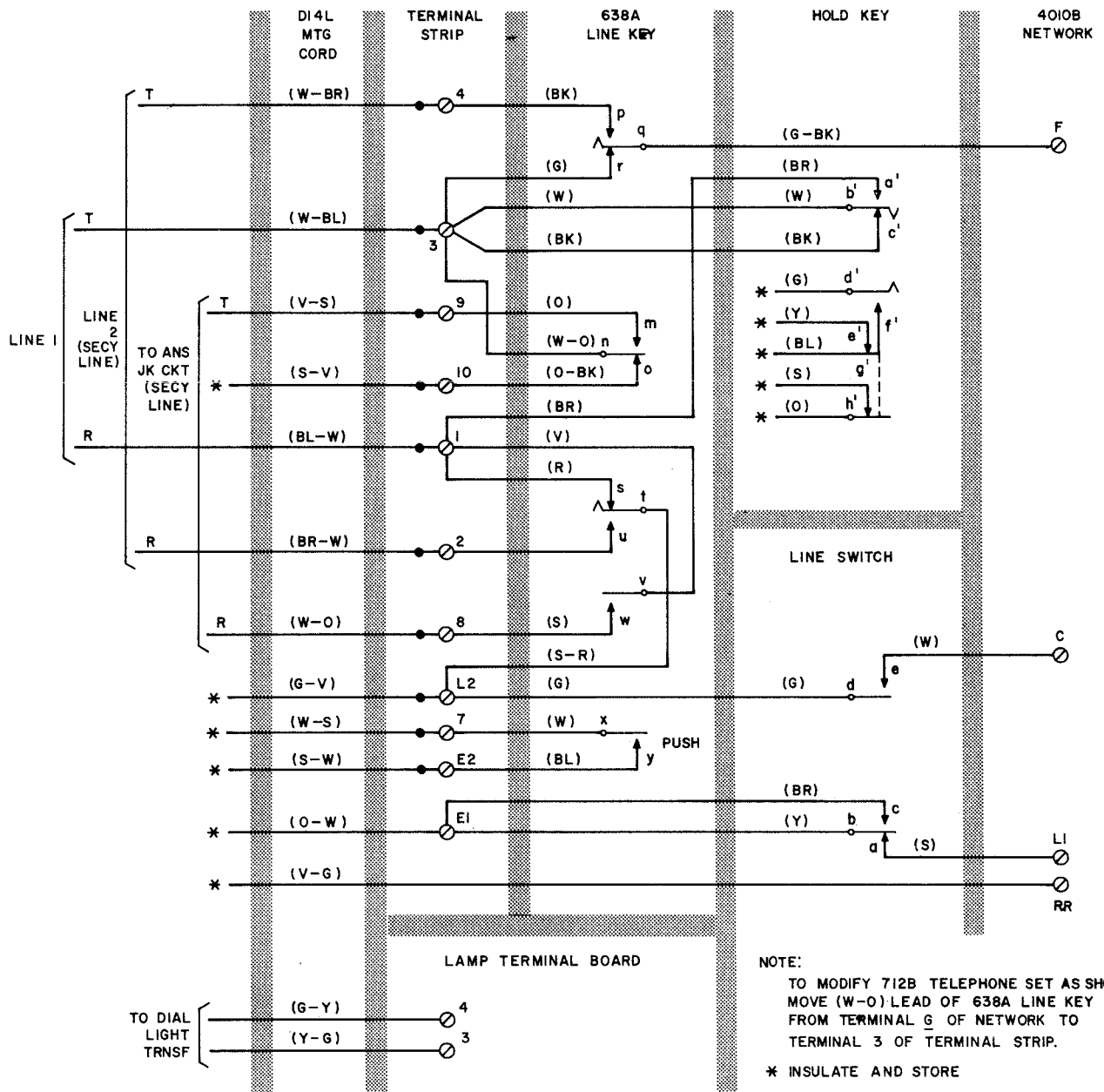


Fig. 2 — 712B Telephone Set, Wired for 1-Line Pickup, Hold, and Secretarial Service (Used Without 1A1 or 1A2 KTS)

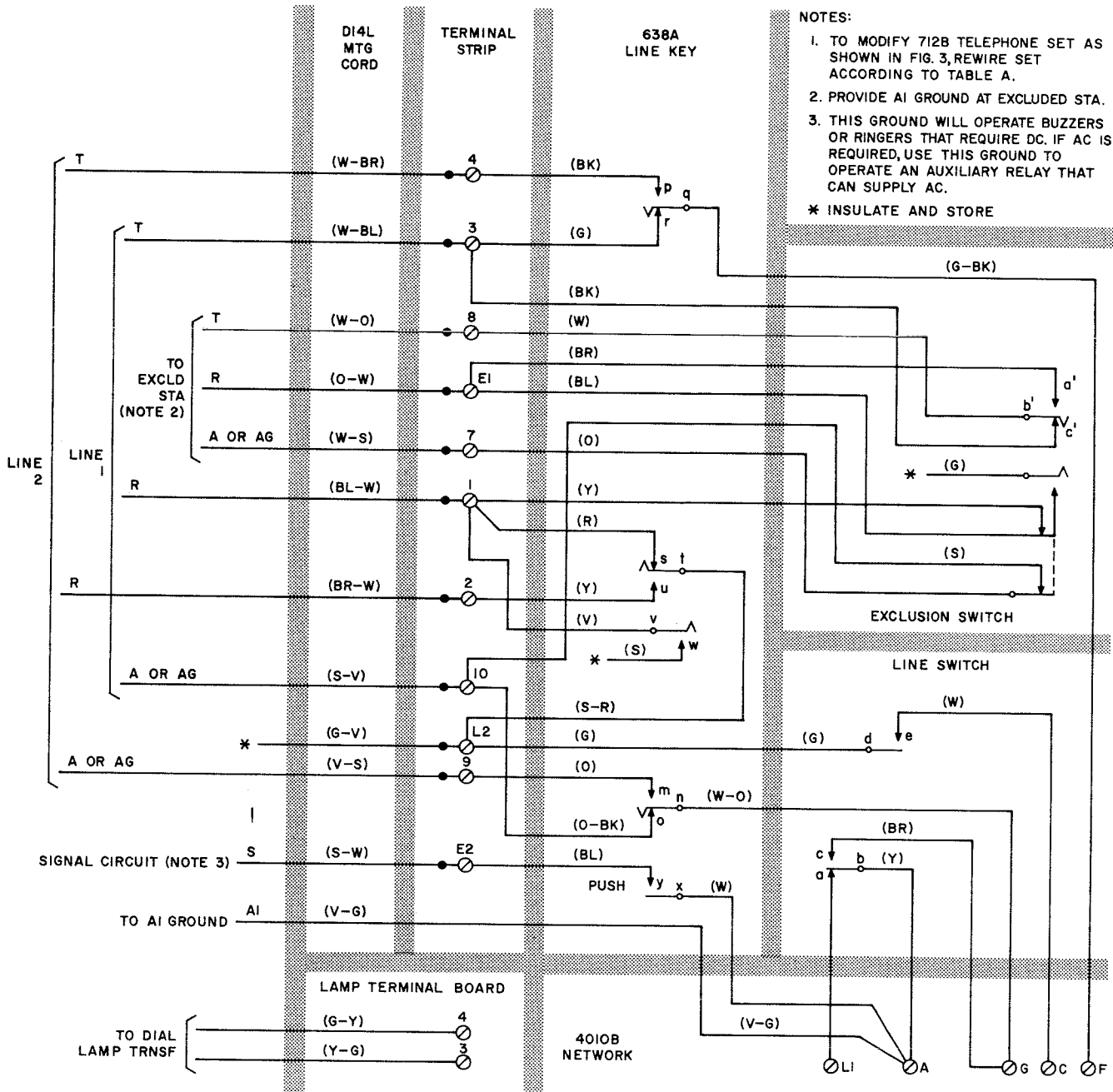


Fig. 3 — 712B Telephone Set, Wired for 2-Line Pickup, Exclusion on Line 1, and Signaling (Used With 1A1 or 1A2 KTS)

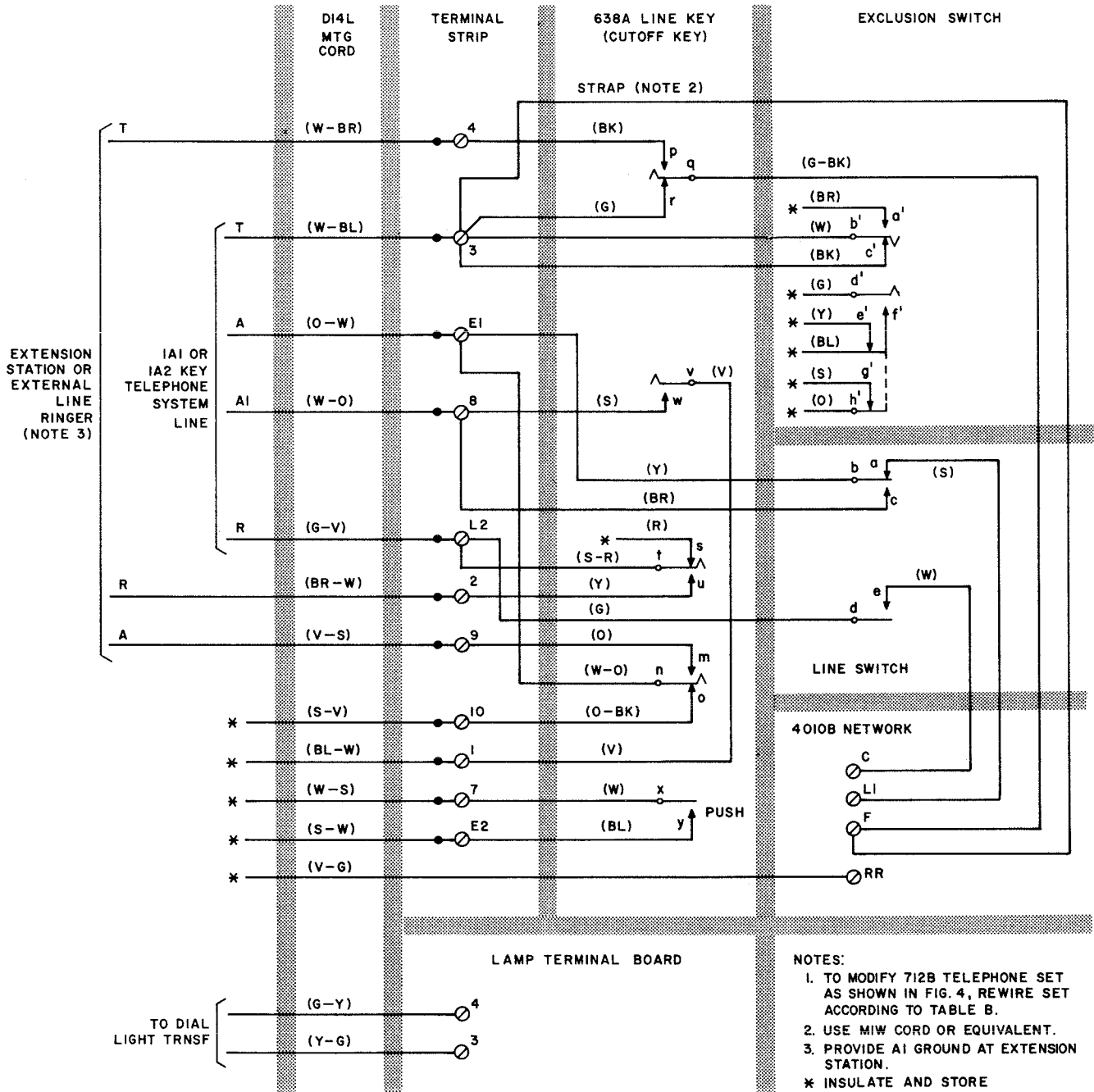


Fig. 4 — 712B Telephone Set, Wired for 1-Line Pickup, Cutoff Feature for Extension Station or External Line Ringer