

SPEAKERPHONE SYSTEMS—3-TYPE

568HAA AND 2568HAA TELEPHONE SETS

CONNECTIONS AND MAINTENANCE

1. GENERAL

1.01 This section shows connections between components of the 3-type speakerphone system and the 568HAA or 2568HAA telephone set.

1.02 This section is reissued to include connection and maintenance information for the 2568HAA telephone set formerly found in Section 512-622-420 which is here by canceled.

Since this reissue covers a general revision, arrows ordinarily used to indicate changes have been omitted

1.03 The 568HAA and 2568HAA telephone sets are furnished wired for use with 2- and

4-wire common battery telephone lines, 1A1, 1A2, and 6A key telephone systems and 3-type speakerphone.

1.04 When using speakerphone on 4-wire lines, a J53041D, List 1 speakerphone control unit must be used with a modified 55B control unit (SD-69542-01).

2. MAINTENANCE

2.01 Refer to the appropriate section in Division 502 for maintenance information for the 568HAA or 2568HAA telephone set. Refer to Division 512 for maintenance of speakerphone components used with these sets.

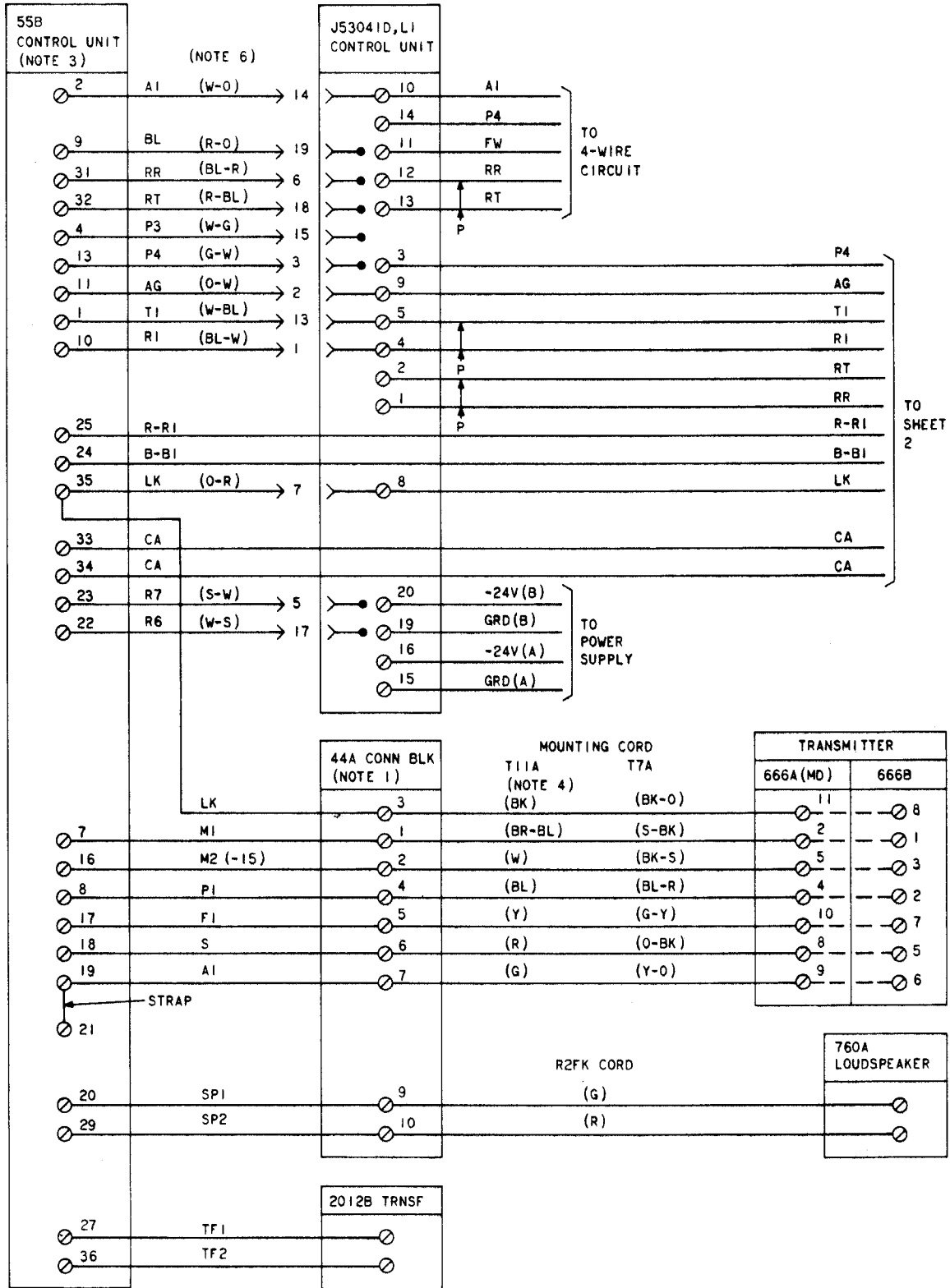
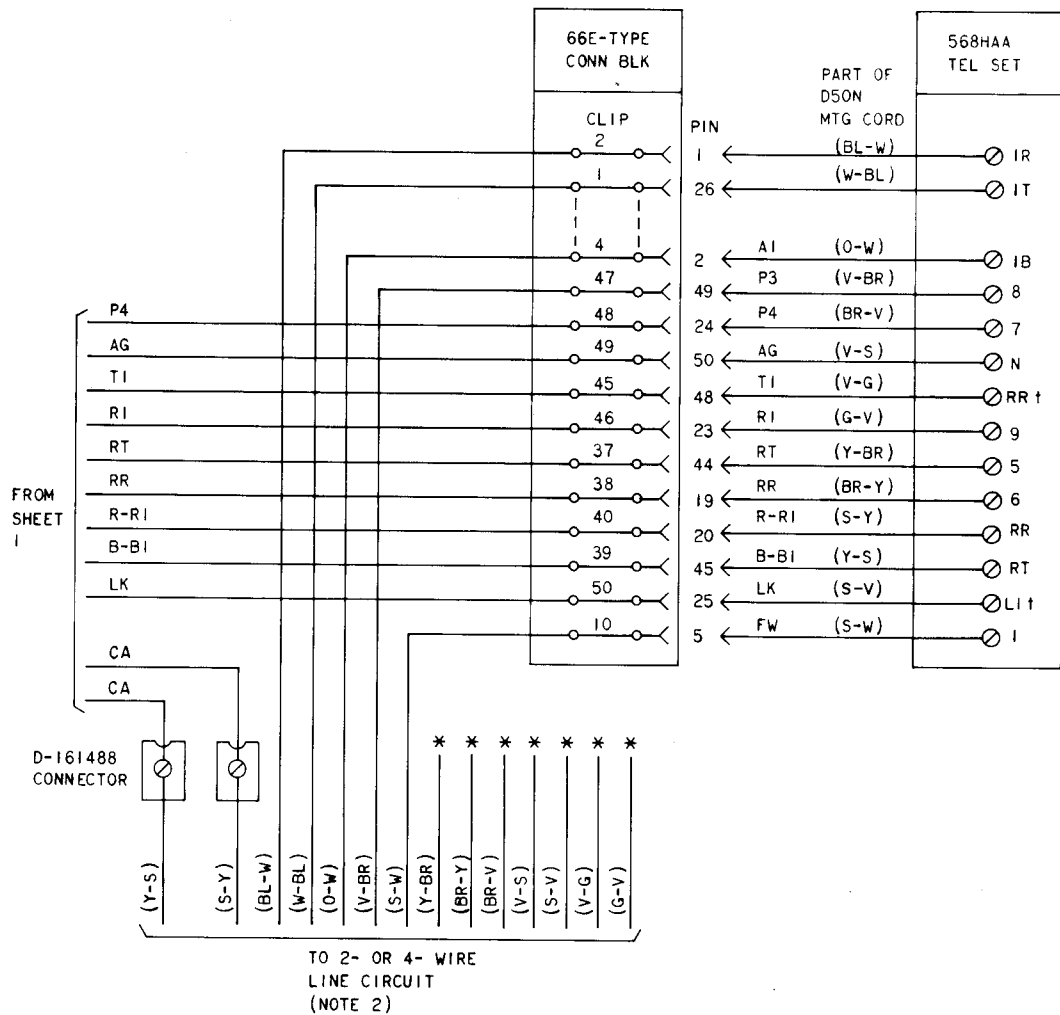


Fig. 1—Connections for 568HAA Telephone Set, Using 66E-Type Connecting Block (Sheet 1 of 2)



NOTES:

1. CONNECTIONS SHOWN ARE USED WHEN CONTROL UNIT IS LOCATED NEAR TEL SET. IF CLOSE ENOUGH, CONNECTING BLOCK MAY BE ELIMINATED BY TERMINATING MTG CORDS FROM TRMTR AND LOUDSPEAKER DIRECTLY TO CONTROL UNIT. WHEN CONTROL UNIT IS LOCATED AT EQUIPMENT, EXTEND SPEAKERPHONE LEADS THROUGH CONNECTOR CABLE.
2. ONLY A PORTION OF CONNECTOR CABLE TO EQUIPMENT IS SHOWN.
3. 55B CONTROL UNIT MUST BE MODIFIED AND MOUNTED PER FIG. 3.
4. INSULATE AND STORE UNUSED LEADS OF TIIA CORD.
5. LENGTH OF WIRING BETWEEN CONTROL UNIT AND ASSOCIATED STATION SHALL NOT EXCEED 100 FEET.
6. CABLE SUPPLIED WITH J53041D, LI CONTROL UNIT. INSULATE AND STORE UNUSED CONDUCTORS.

*- INSULATED AND STORED.

†- NETWORK TERMINAL, UNDESIGNATED TERMINALS ARE ON KEY TERMINAL BOARD.

Fig. 1—Connections for 568HAA Telephone Set, Using 66E-Type Connecting Block (Sheet 2 of 2)

SECTION 512-620-430

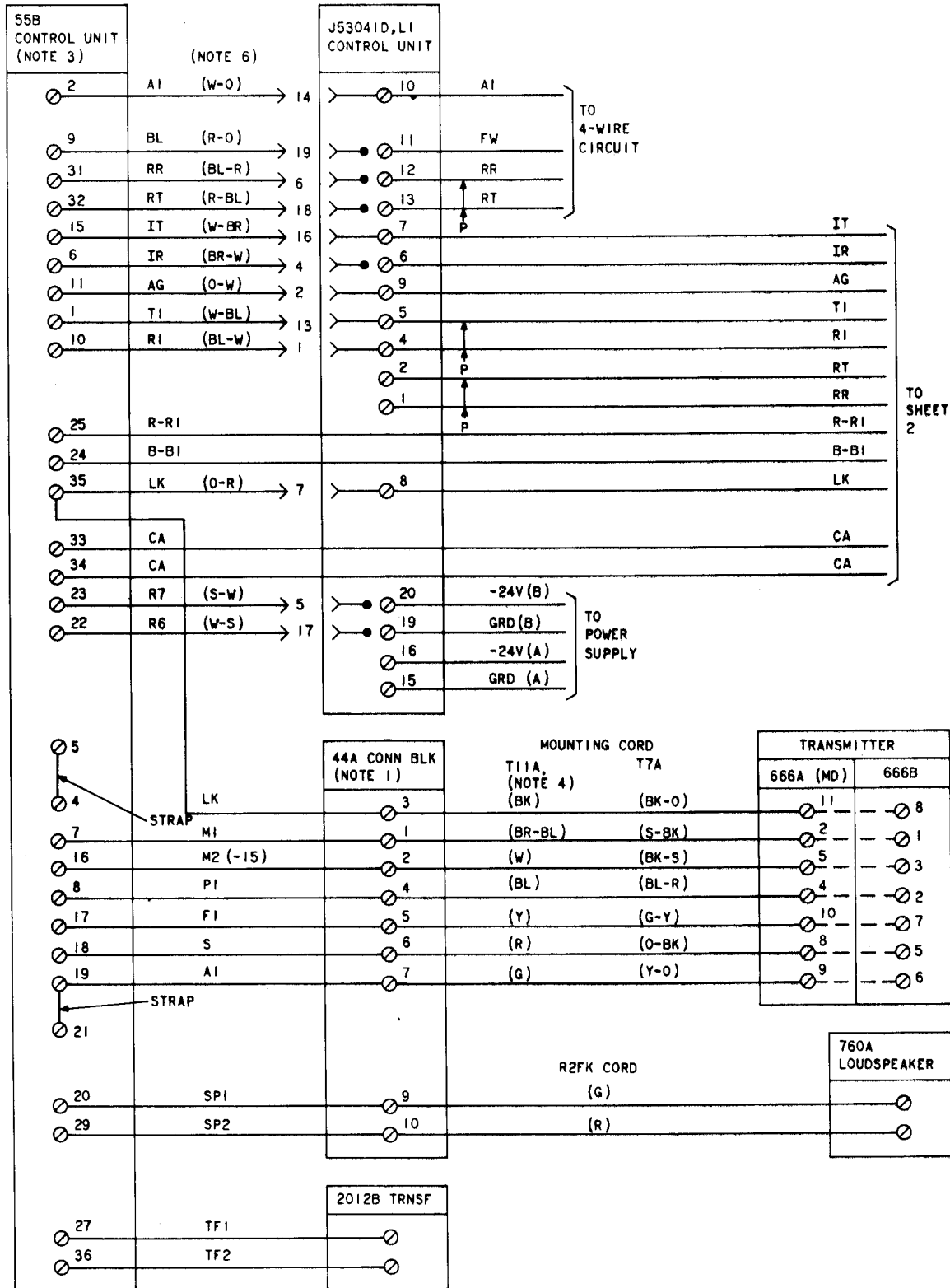
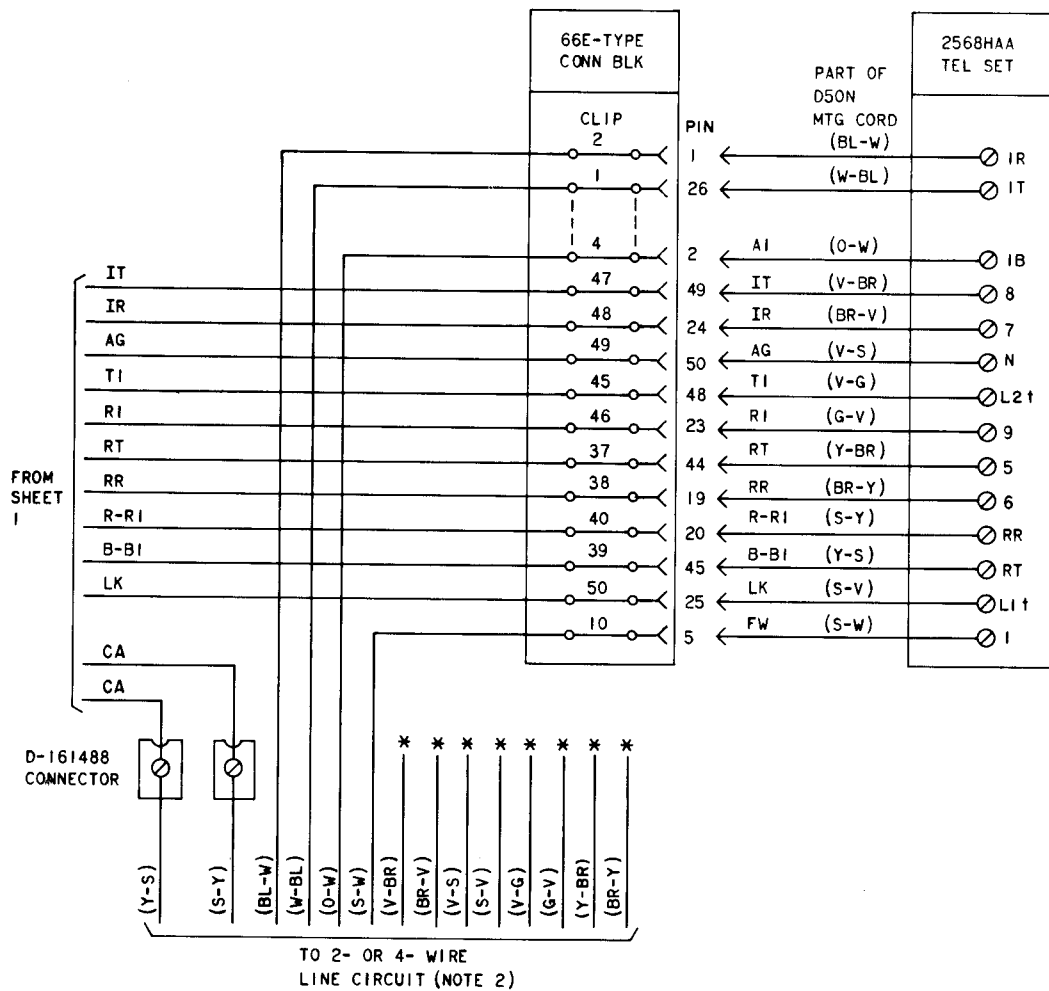


Fig. 2—Connections for 2568HAA Telephone Set Using 66E-Type Connecting Block (Sheet 1 of 2)



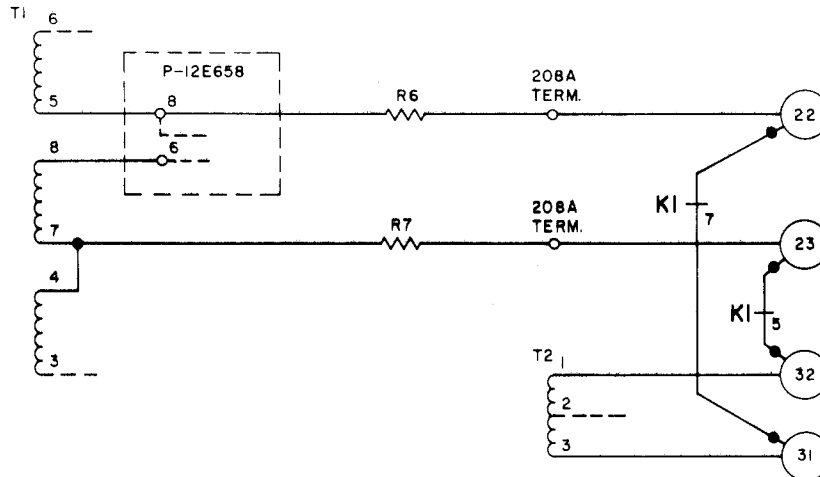
NOTES:

1. CONNECTIONS SHOWN ARE USED WHEN CONTROL UNIT IS LOCATED NEAR TEL SET. IF CLOSE ENOUGH, CONNECTING BLOCK MAY BE ELIMINATED BY TERMINATING MTG CORDS FROM TRMTR AND LOUDSPEAKER DIRECTLY TO CONTROL UNIT. WHEN CONTROL UNIT IS LOCATED AT EQUIPMENT, EXTEND SPEAKERPHONE LEADS THROUGH CONNECTOR CABLE.
2. ONLY A PORTION OF CONNECTOR CABLE TO EQUIPMENT IS SHOWN.
3. 55B CONTROL UNIT MUST BE MODIFIED AND MOUNTED PER FIG. 3.
4. INSULATE AND STORE UNUSED LEADS OF TIIA CORD.
5. LENGTH OF WIRING BETWEEN CONTROL UNIT AND ASSOCIATED STATION SHALL NOT EXCEED 100 FEET.
6. CABLE SUPPLIED WITH J53041D, LI CONTROL UNIT. INSULATE AND STORE UNUSED CONDUCTORS.

*- INSULATED AND STORED.

†- NETWORK TERMINAL, UNDESIGNATED TERMINALS ARE ON KEY TERMINAL BOARD.

Fig. 2—Connections for 2568HAA Telephone Set Using 66E-Type Connecting Block (Sheet 2 of 2)



NOTES:

1. MODIFY CONTROL UNIT AS FOLLOWS:

1. UNSOLDER R6 FROM TERMINAL 3 OF T2 TRANSFORMER.
 2. UNSOLDER R7 FROM TERMINAL 1 OF T2 TRANSFORMER.
 3. INSTALL TWO 208A TERMINALS OR EQUIVALENT UNDER THE MOUNTING NUT OF TRANSFORMERS T1 AND T2. TERMINALS SHOULD NOT INTERFERE WITH ADJACENT EQUIPMENT.
 4. SOLDER FREE END OF R6 TO ONE 208A TERMINAL AND FREE END OF R7 TO OTHER 208A TERMINAL.
 5. REMOVE FOUR SCREWS HOLDING TERMINAL BOARD TO EXPOSE CONNECTIONS ON REAR OF TERMINAL BOARD.
 6. PLACE AND SOLDER FOUR STRAPS FROM TERMINAL BOARD AS FOLLOWS:
 - (A) TERMINAL 22 TO 208A TERMINAL ASSOCIATED WITH R6.
 - (B) TERMINAL 23 TO 208A TERMINAL ASSOCIATED WITH R7.
 - (C) TERMINAL 31 TO TERMINAL 3 OF T2 TRANSFORMER.
 - (D) TERMINAL 32 TO TERMINAL 1 OF T2 TRANSFORMER.
 7. REPLACE TERMINAL BOARD AND SCREWS.
 8. STENCIL COVER "MODIFIED PER SD-69542-01"
2. CONNECT TO J53041D, LI SPEAKERPHONE CONTROL UNIT WITH CABLE SUPPLIED WITH J-SPEC. MOUNT UNITS AS CLOSE TOGETHER AS POSSIBLE, NOT EXCEEDING 4 FT., WITH 55B CONTROL UNIT TO RIGHT OF J53041D, LI UNIT.

Fig. 3—Modification of 55B Control Unit