

High-Impedance Ringers

HARMONIC

Fig. No.	Description	Order No.
1.	Clapper Arm Reeds.....	See chart below
2.	Clapper Assembly.....	D-56530-B
3.	Nut.....	D-7734-A
4.	Screw.....	D-760645-A
5.	Washer.....	D-1772-A
6.	Knurled Nut.....	D-77360-A
7.	Post.....	D-36091-A
8.	Yoke Assembly.....	D-67430-A
9.	Clapper Weight.....	See chart below
10.	Set Screw.....	D-7684-A
11.	Coil Right.....	See chart below
12.	Coil Left.....	See chart below
13.	Spacer-Heel Piece (On 60, 66, 66.6 frequencies only) ..	D-65501-A
14.	Screw, Coil.....	8-32 x 3/8" RHIMS
15.	Lockwasher.....	D-17195-E
16.	Ringer Magnet.....	D-56497-B
17.	Heel Piece.....	D-63196-A
18.	Gong (light).....	D-56522-A
19.	Gong (heavy).....	D-56523-A
20.	Screw-Gong.....	D-760646-A
21.	5 Lockwasher-Gong.....	D-17464-C
22.	Condenser.....	See chart below
23.	Hex. Nut.....	D-7700-A

STRAIGHT-LINE

Fig. No.	Description	Order No.
1.	Adjusting Wheel.....	D-65494-A
2.	Shoulder Bushing.....	D-750221-A
3.	Spring Washer.....	D-17619-A
4.	Screw.....	D-760731-A
5.	Armature Assembly.....	D-56521-A
6.	Screw.....	4-40 x 5/16" RHIMS
7.	Ringer Magnet.....	D-56497-B
8.	Coil Right.....	D-283749-A
9.	Coil Left.....	D-283750-A
10.	Washer.....	D-17195-E
11.	Screw.....	8-32 x 3/8" RHIMS
12.	Bias Tension Arm.....	D-109705
13.	Heel Piece.....	D-63196-A
14.	Condenser 4/10 MF.....	D-68693-AR
15.	Hex. Nut.....	D-7700-A
16.	Gong (light).....	D-56522-A
17.	Gong (heavy).....	D-56523-A
18.	Washer.....	D-17464-C
19.	Screw.....	D-760646-A
20.	Armature Adjusting Plate...	D-780544-A
21.	Yoke.....	D-67428-A

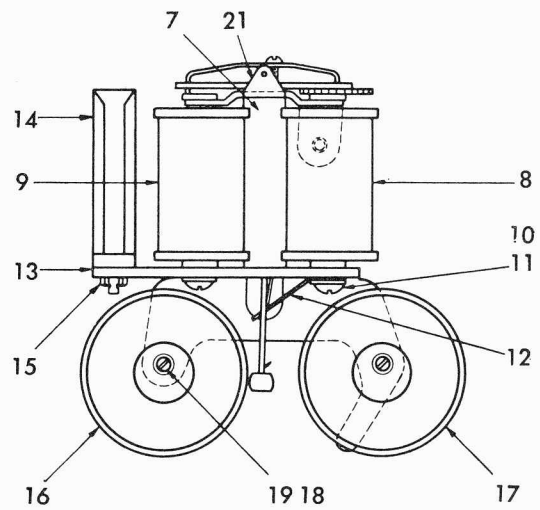
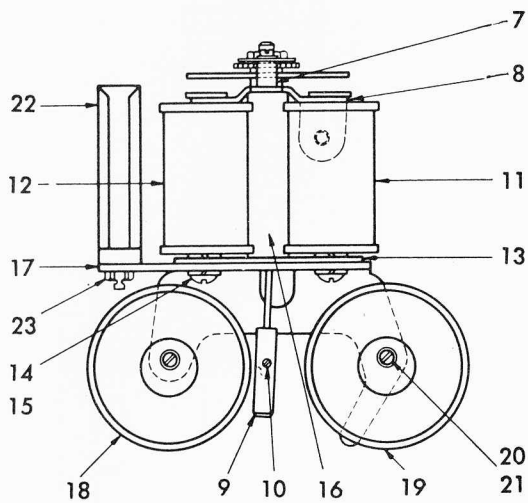
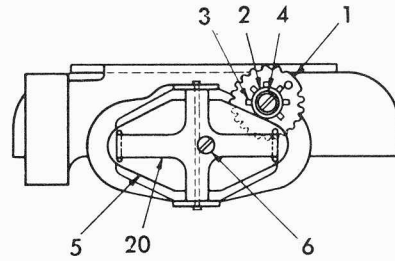
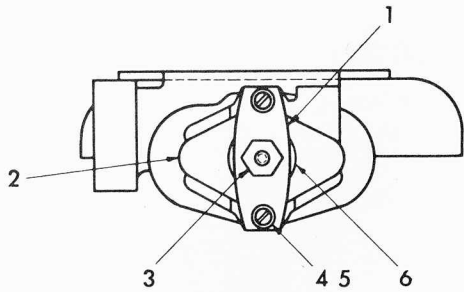
RINGER FREQUENCY SUFFIX INDEX

Frequency	Description	Order No.	Frequency	Description	Order No.
SL	With Adjusting Wheel.....	D-56548-ASAR	40	Decimonic.....	D-56548-A40R
SL	Without Adjusting Wheel.....	D-56548-ASLR	42	Harmonic.....	D-56548-A42R
16.6	Harmonic.....	D-56548-A16R	50	Harmonic.....	D-56548-A50R
20	Harmonic and Decimonic.....	D-56548-A20R	50	Decimonic.....	D-56548-A51R
25	Harmonic.....	D-56548-A25R	54	Harmonic.....	D-56548-A54R
30	Harmonic and Decimonic.....	D-56548-A30R	60	Decimonic.....	D-56548-A60R
33.3	Harmonic.....	D-56548-A33R	66	Harmonic.....	D-56548-A66R
			66.6	Harmonic.....	D-56548-A67R

FOLLOWING PARTS VARY AT DIFFERENT FREQUENCIES, AS SHOWN.

Frequency Cycles	16.6	25	33.3	50	66.6	20	30	42	54	66	40	60
(1) Clapper Arm Reeds	D-10740-B	D-10740-A	D-10740-A	D-10740-A	D-10693-B	D-10740-B	D-10740-A	D-10740-A	D-10693-A	D-10693-B	D-10740-A	D-10693-A
(9) Clapper Weight	D-56534-A	D-56524-C	D-56526-C	D-56528-C	D-56528-B	D-56524-B	D-56526-A	D-56525-B	D-56528-A	D-56528-B	D-56526-B	D-56528-B
(11) Coil Right	D-283749-A	D-283749-A	D-283749-A	D-283749-A	D-284124-A	D-283749-A	D-283749-A	D-283749-A	D-283749-A	D-284124-A	D-283749-A	D-284124-A
(12) Coil Left	D-283750-A	D-283750-A	D-283750-A	D-283750-A	D-284123-A	D-283750-A	D-283750-A	D-283750-A	D-283750-A	D-284123-A	D-283750-A	D-284123-A
(22) Condenser	D-68695-AR 7/10 MF	D-68692-AR 3/10 MF	D-68691-AR 2/10 MF	D-68690-AR 8/100 MF	D-68690-AR 8/100 MF	D-68695-AR 7/10 MF	D-68691-AR 2/10 MF	D-68690-AR 8/100 MF	D-68690-AR 8/100 MF	D-68690-AR 8/100 MF	D-68690-AR 8/100 MF	D-68690-AR 8/100 MF

High-Impedance Ringers



HARMONIC

STRAIGHT-LINE