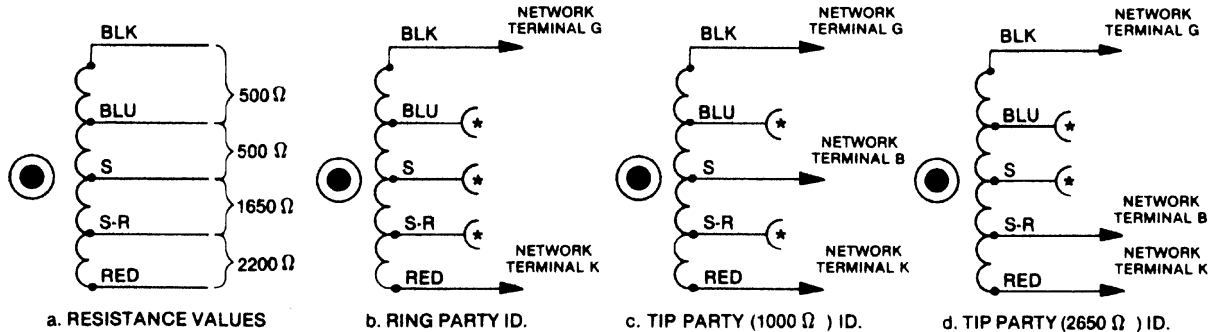


NOTES:

1. THE HOOKSWITCH IS SHOWN ON HOOK.
2. SYMBOL (*) DENOTES TAPE & STORE.
3. SYMBOL ([]) DENOTES SPLICE CONNECTOR.
4. "K" ON DIAL MAY BE ALTERNATIVELY CONNECTED TO "2" ON THE NETWORK.

AE Equipped, Push-Button Dial Wiring Diagram



SYMBOL (*) DENOTES TAPE & STORE.

Two-Party Ringer Connections