

# TYPE 880 SPEAKERPHONE

## INSTALLATION AND OPERATION

### SCOPE

The following provides installation and operation procedures for the Type 880 Speakerphone as supplied from the factory. Modifications and detailed installation and maintenance information are provided in Section 473-410-200 of the General System Practices.

### GENERAL

The Type 880 telephone is supplied with the speaker assembly wired to the main unit assembly. Each telephone is supplied with a line cord; one end wired to the main unit and the other end terminated at a terminal block.

### INSTALLATION

Place the main unit assembly with attached speaker assembly in the desired location. To minimize feed back, the main unit assembly should be located approximately two feet from the speaker assembly. Also, the microphone, located on the face of the main unit assembly, should not face the speaker assembly.

When the total loop resistance exceeds 750 ohms or when certain low voltage switchboards such as W.E.Co. type 555 or Leich type L-55 are used, an external power supply (L-7038-AO) is required. Two leads (designated "Y" in figure 1) connect to terminal block terminals 5 and 10. Also required is a strap (dotted line designated "Y" in figure 1) between terminals 6 and 10 on the terminal block.

Fasten the external power supply (if required) on a flat surface near the telephone and also near a 115 V A-C receptacle.

Mount the terminal block on a wall or on the back of a desk.

Make the necessary wire connections to the terminal block and make the necessary modifications to the telephone (if required), referring to schematic wiring diagram (figure 1). Install the terminal block cover supplied with the telephone.

Use the following procedures to gain access to and stamp the dial number card.

- (1) Locate the small hole in the finger wheel located near finger hole (6). Insert dial tool (H-886316-1) into the small hole and engage the latch-

ing lug (located under the finger wheel) at the left edge of the hole and push down until the lug snaps out toward the number six (6) on the number plate.

- (2) Remove the dial tool and rotate the finger wheel clockwise one full turn until the zero (0) hole of the finger wheel has passed the finger stop and is over or slightly beyond the zero (0) on the number plate. The finger wheel should disengage. Remove the finger wheel from the dial.

NOTE: If this procedure fails to disengage the finger wheel, rotate the zero (0) hole of the finger wheel clockwise to the finger stop and insert dial tool into the small hole to release the latching lug, while applying pressure in a clockwise direction on the finger wheel.

- (3) Withdraw the dial card from the finger wheel by pulling the elongated tab.
- (4) Stamp the desired number on the number card using the flat surface at the bottom of the card for reference.
- (5) Place the dial card into the finger wheel with the tabs in the slots provided and press the card into place.
- (6) Place the finger wheel over the locking disc so the zero (0) hole of the finger wheel is between numbers eight (8) and nine (9) on the number plate. Rotate the wheel counter-clockwise until the wheel snaps into the correct position.

Plug the line cord of the auxiliary power supply (if used) into a 115 V A-C receptacle, completing the installation of the Type 880 Speakerphone.

### ADJUSTMENTS

If an electronic-type tone signal is used, adjust the volume. The electronic-type tone signal is located in the speaker assembly. To adjust the volume of the tone signal,

insert a screwdriver into the hole located in the base of the speaker assembly and turn the screwdriver until the desired volume is attained.

## **OPERATION**

The Type 880 Speakerphone may be used as a regular telephone or as a speakerphone.

The OFF/ON switch button, located on the face of the telephone, is used for switching from handset operation to speaker operation, or from speaker operation to handset operation. This switch button must be in the OFF position when the telephone is not used.

To initiate a call using speaker operation, press the OFF/ON switch button to the ON position. The neon lamp in the switch button will start flashing, indicating a seized line. When dial tone is heard through the speaker, dial the desired number and listen for ringback or busy tone. When the called party answers, adjust the speaker volume by turning the speaker volume control wheel, located on the face of the telephone.

To answer a call, using speaker operation, press the OFF/ON switch button to the ON position. The neon lamp in the switch button will start flashing and the calling party's voice will be heard through the speaker. Adjust the speaker volume to the desired level.

To hang up, while using a speaker operation, press the OFF/ON switch button to the OFF position. To change from handset to speaker operation, while a call is in progress, press the OFF/ON switch button to the ON position and replace the handset. To change from speaker to handset operation, while a call is in progress, lift the handset and press the OFF/ON switch button to the OFF position.

To recall (flash) the operator, alternately press the OFF/ON switch button to the OFF and ON positions until the operator answers. To talk privately to the operator, transfer to handset operation and move the hookswitch bar up and down until the operator answers.

For handset operation, press the OFF/ON switch button to the OFF position and operate as a standard telephone.

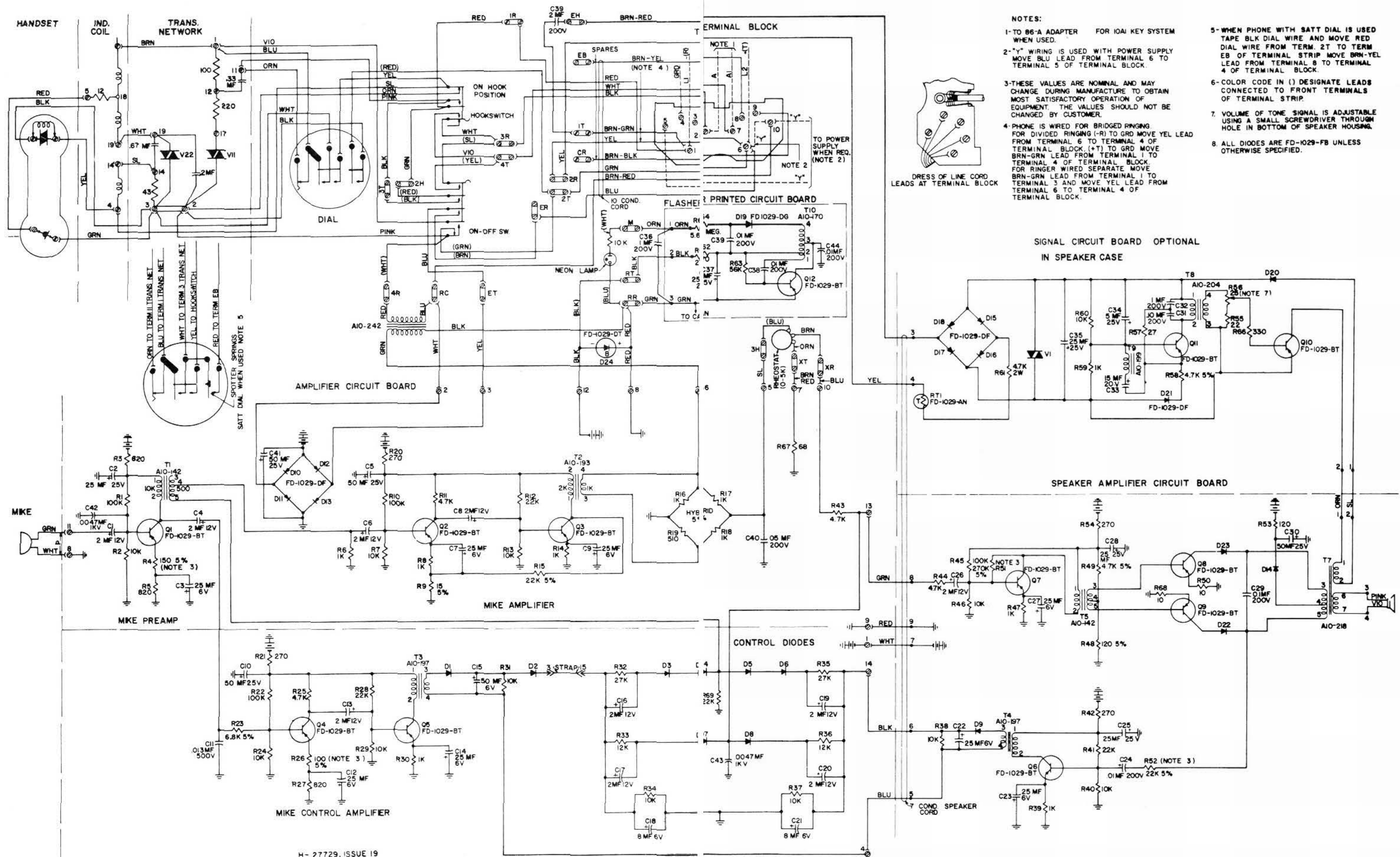


Figure 1. Schematic and wiring diagram of the basic telephone components.