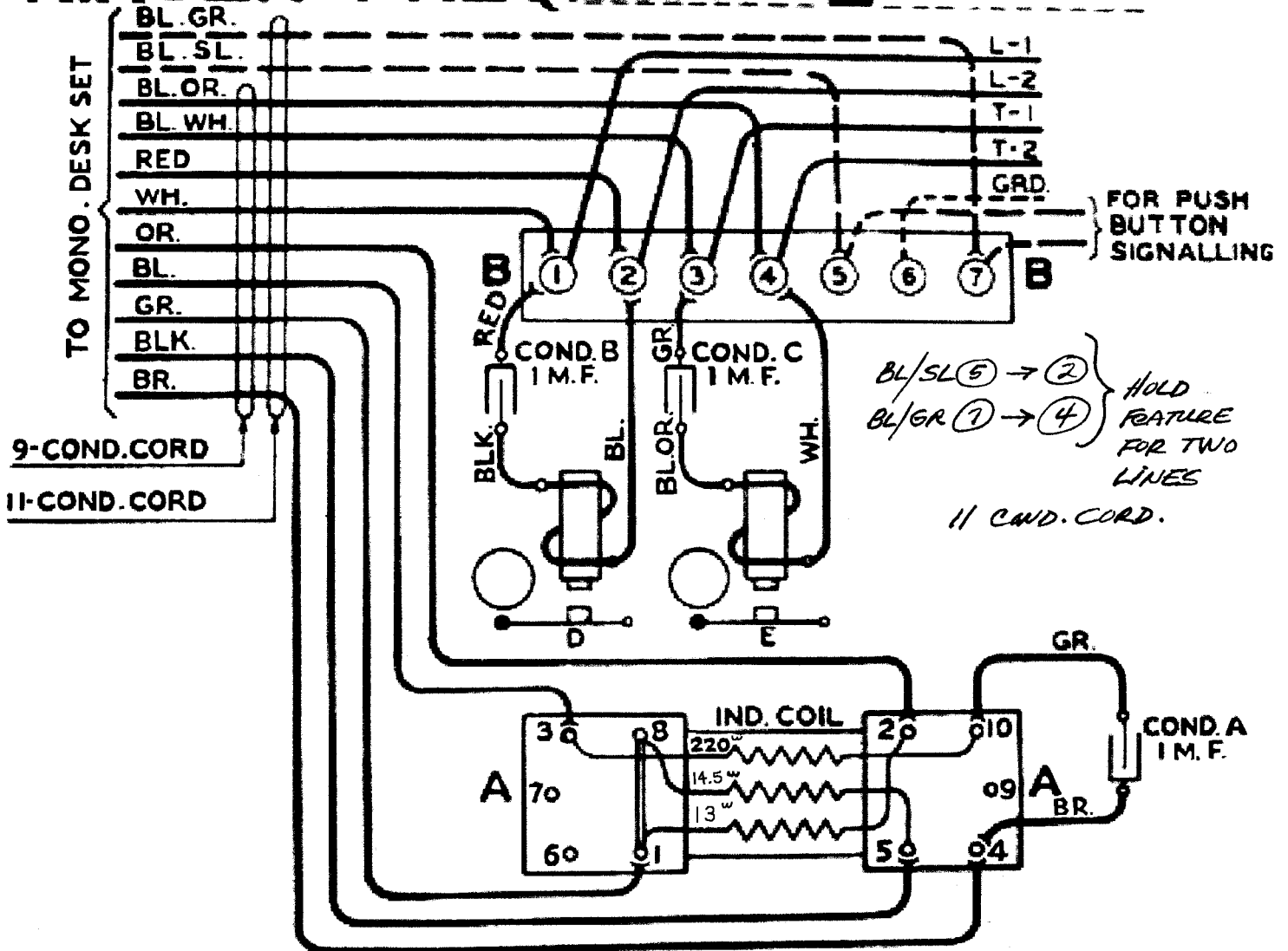


RINGER FREQ. STRL. L~



NOTES:- 1 - FOR METALLIC RINGING, CONNECT RINGER TERMS. AS SHOWN. FOR GROUND RINGING, CONNECT RINGER TERMS. TO TERM. 6-B.

2 - RINGERS D & E GIVE DISTINCTIVE TONES

3 SWITCH Monophone.

Automatic Electric Company
CHICAGO, U.S.A.