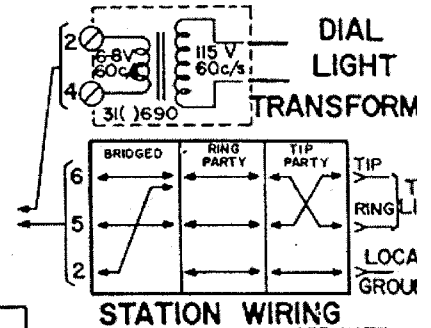
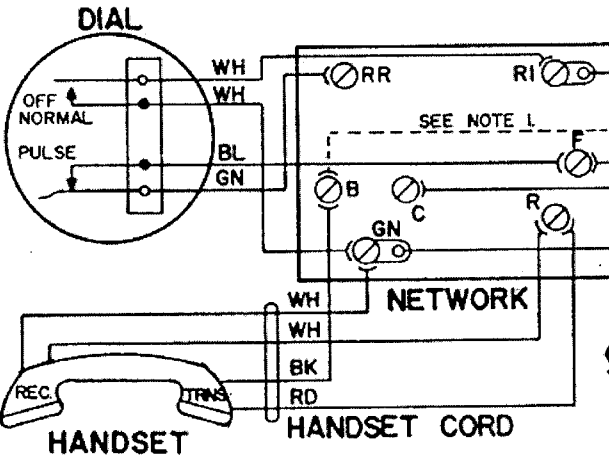
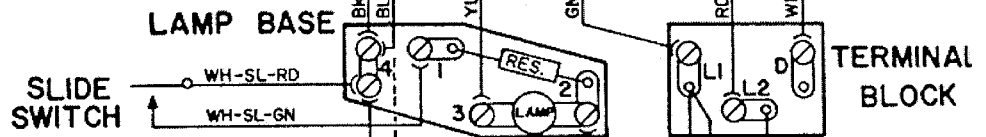


6-Conductor Mounting Cord:  
Blue and black leads connect  
in parallel

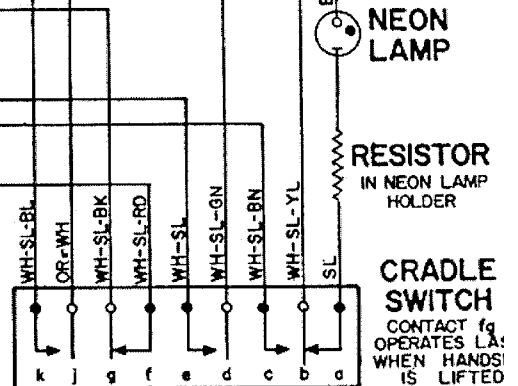


For Manual Service:  
Replace dial with dummy  
plug and transfer WH-SL  
cradle switch lead from F  
to RR on network.

MOUNTING CORD  
SEE NOTES 1 AND 2.



COMPOSITE  
WIRING  
DIAGRAM



CIRCUIT DIAGRAM  
(INSTRUMENT ONLY)

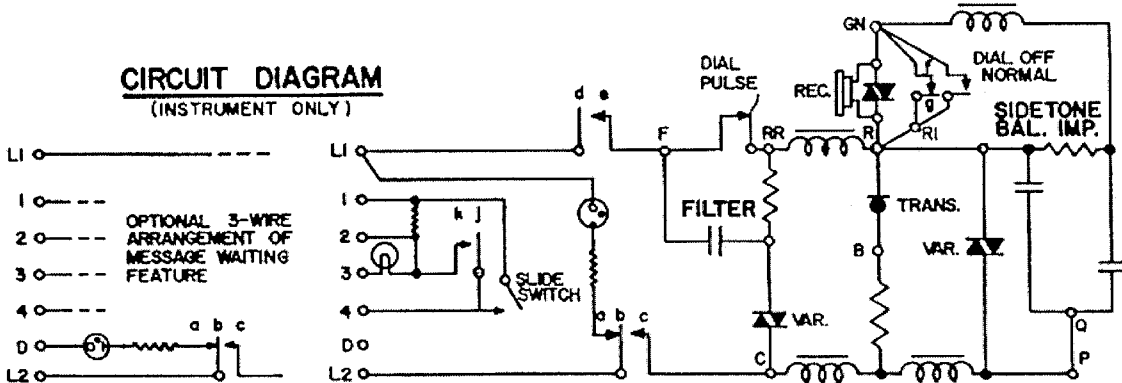


Fig. 2 DIAGRAMS 701--(LR)37- TELEPHONE AND