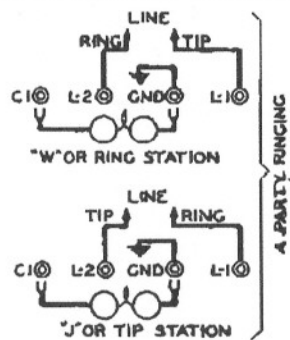
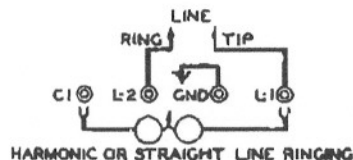
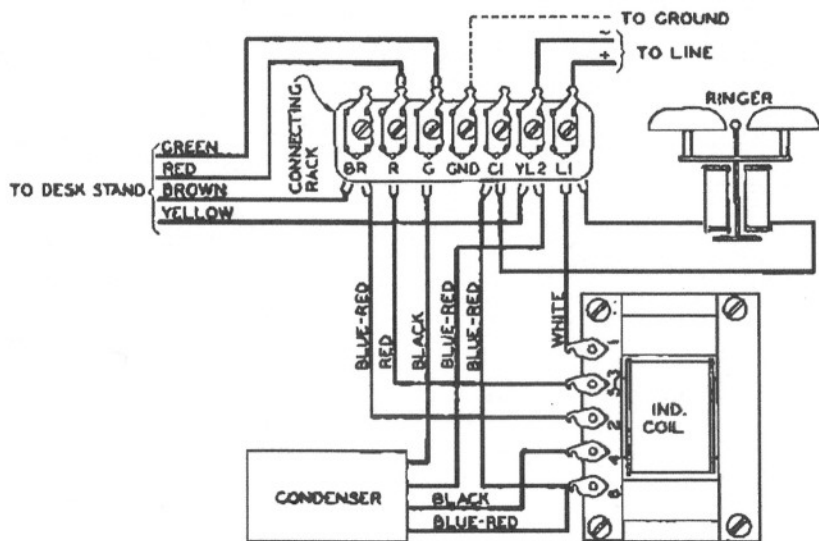
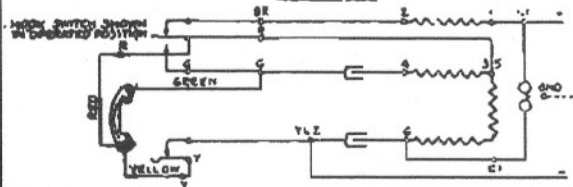


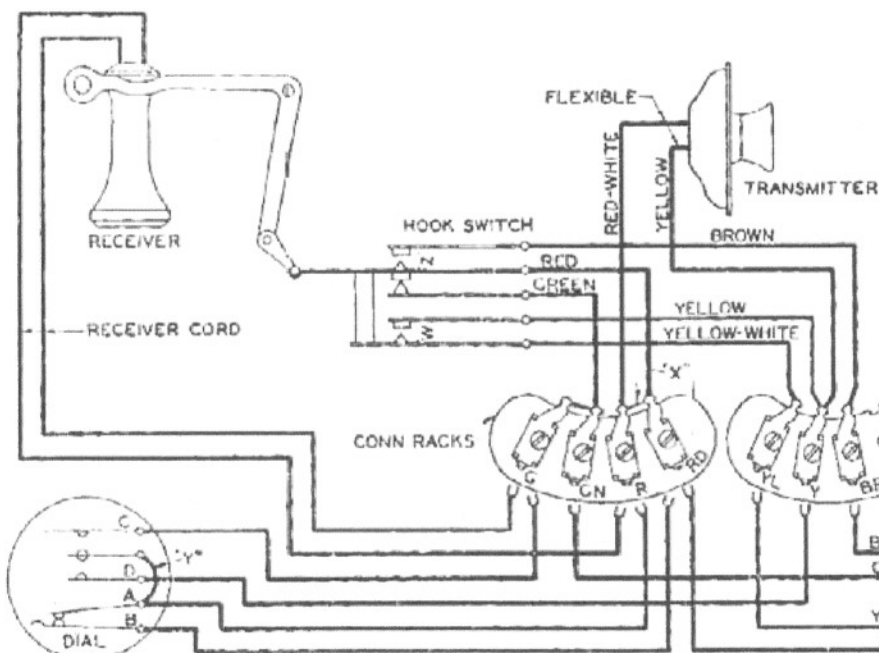
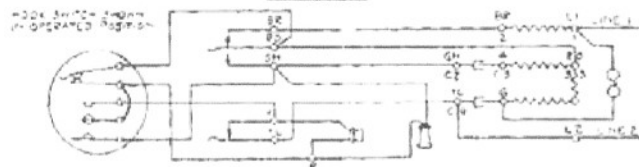
TRIAD CIRCUIT

COMMON BATTERY D.S. BOX

SCHEMATIC



SCHEMATIC



COLOR CODE FOR DIAL LEADS

	A	B	C	D
K. S. & S. CO.	SLATE	WHITE	GR-WH	GREEN
AUTO. ELEC. CO.	GR-WH.	GREEN	GR-RED	GR-BLK

NOTE:

- 1- WHEN *S TYPE DIAL IS USED CONNECT STRAP *Y* AS SHOWN. WHEN DIAL IS NOT USED CONNECT STRAP *X*.
- 2- CONTACTS *W* TO BREAK BEFORE *Z* WHEN HAND SET IS HUNG ON HOOK.