

FIG. 2

# QSQE2500AX TELEPHONE SET CONNECTION INFORMATION

P0565185

ISS. 3

**TABLE A/ LINE AND RINGER CONNECTIONS**

	LEAD COLOUR	BRIDGED PARTY	RING PARTY	TIP PARTY	TIP PARTY ANI	4 PARTY NO GND	4 PARTY $\pm$ GND	4 PARTY -GND*	4 PARTY +GND*
RINGER	(BK)	L1	G	L1	G	G	G	G	G
	(S)	K	K	K	B	K	B	D	D
	(R)	L2	L2	G	A	L2	A	A	A
	(S-R)	A	A	A	B	A	B	D	D
LINE SWITCH	(S)	L2	L2	L2	K	L2	K	K	K
DIAL NETWORK	(Y)	D	D	D	CI	D	CI	CI	CI
INSIDE WIRING OR MOUNTING CORD IN SET	(R)	L2	L2	L2	L1	L2	L1	L2	L1
	(G)	L1	L1	L1	L2	L1	L2	L1	L2
	(Y)	G	G	G	G	G	G	G	G
	(BK)	AUX	AUX	AUX	AUX	AUX	AUX	AUX	AUX

\* - REQUIRES P0522718 DIODE KIT (SEE FIG. 1)

▲ - DENOTES INSULATE AND STORE.

FIG. 3  
"A" LEAD CONTROL

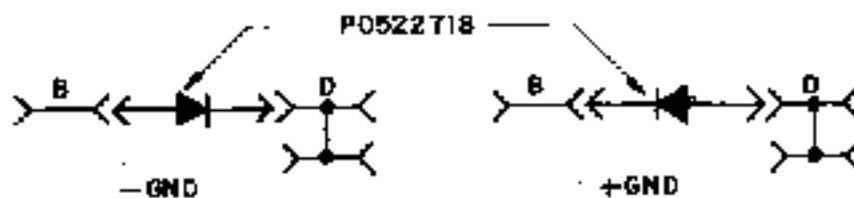
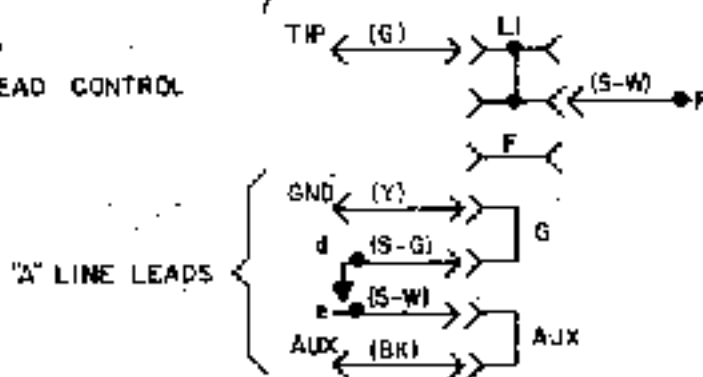


FIG. 1

**DIDDE POLARITY DIAGRAM FOR 4  
PARTY +GND AND -GND RINGING**