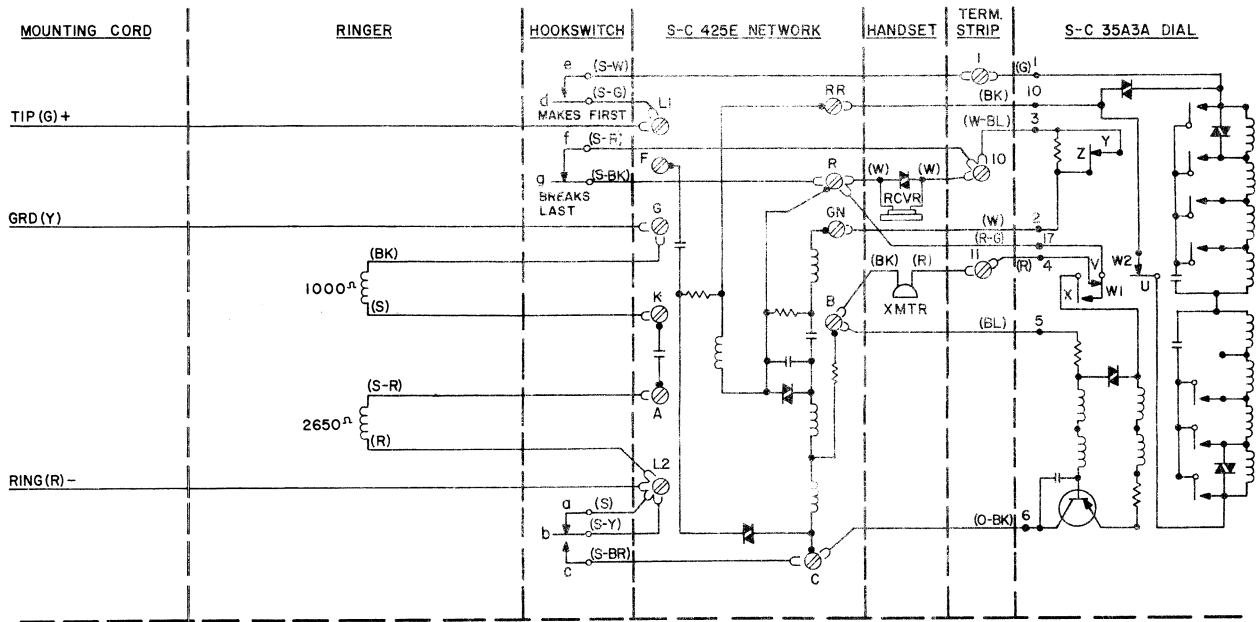
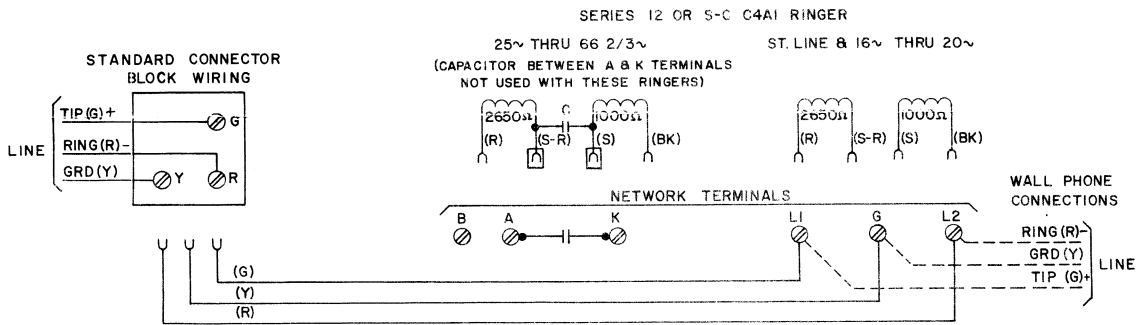


STROMBERG-CARLSON CORPORATION
S-C 2500D/ S-C 554B(TD) TELEPHONE

WIRING DIAGRAM



RING PARTY SHOWN



MOUNTING CORD AND RINGER CONNECTIONS							
WIRE OR LEAD	COLOR	INDIVIDUAL OR BRIDGED	RING PARTY	TIP PARTY			
				NO IDENT TO GRD	IDENT TO GRD		
					1000 ^Ω	2650 ^Ω	
STR LINE, 16 THRU 20~ RINGER LEADS	R	L2	L2	L2	K	B	
	BK	L1	G	G	G	B	B
	S	K	K	K	B	K	
	S-R	A	A	A	B	G	
25 THRU 66 2/3~ RINGER LEADS	R	L2	L2	L2	A	G	
	BK	L1	G	G	G	A	
	S	STORE	STORE	STORE	B	STORE	
	S-R	STORE	STORE	STORE	STORE	B	
HOOKSWITCH LEADS	L2	L2	L2	L2	A	A	
	S-W	I	I	C	C	C	
	S-G	C	C	C	I	I	
	S-BK	F	F	F	F	F	
MTG CORD AT CONNECTING BLOCK	R	R	R	G	G	G	
	G	G	G	R	R	R	
	Y	G	Y	Y	Y	Y	
	C	C	C	C	C	C	
WALL LINE WIRE AT NETWORK	RING -	R	L2	L2	L1	L1	
	TIP +	G	L1	L1	L2	L2	
	GRD	Y	G	G	G	G	

NOTES:

- FOR FOUR PARTY IDENTIFICATION SERVICE (WITH FREQUENCY RINGER ONLY) CONNECT IDENTIFICATION ASSEMBLY BETWEEN NETWORK TERMINAL B AND RINGER. IDENTIFICATION ASSEMBLY AND INSTRUCTIONS MAY BE FOUND IN PACKAGE ASSEMBLY 206287-841.
- TO PERMANENTLY SILENCE RINGERS:
 - FOR ALL SERVICES EXCEPT 2650^Ω TIP PARTY IDENTIFICATION, DISCONNECT (R) RINGER LEAD, INSULATE AND STORE.
 - FOR 2650^Ω TIP PARTY IDENTIFICATION ONLY, DISCONNECT (BK) RINGER LEAD, INSULATE AND STORE.
- IF POLARITY GUARD IS REQUIRED, ORDER 206289-211 PACKAGE ASSEMBLY AND CONNECT AS SHOWN.
- FOR ADDITIONAL INSTRUCTIONS REFER TO TECHNICAL MANUAL.