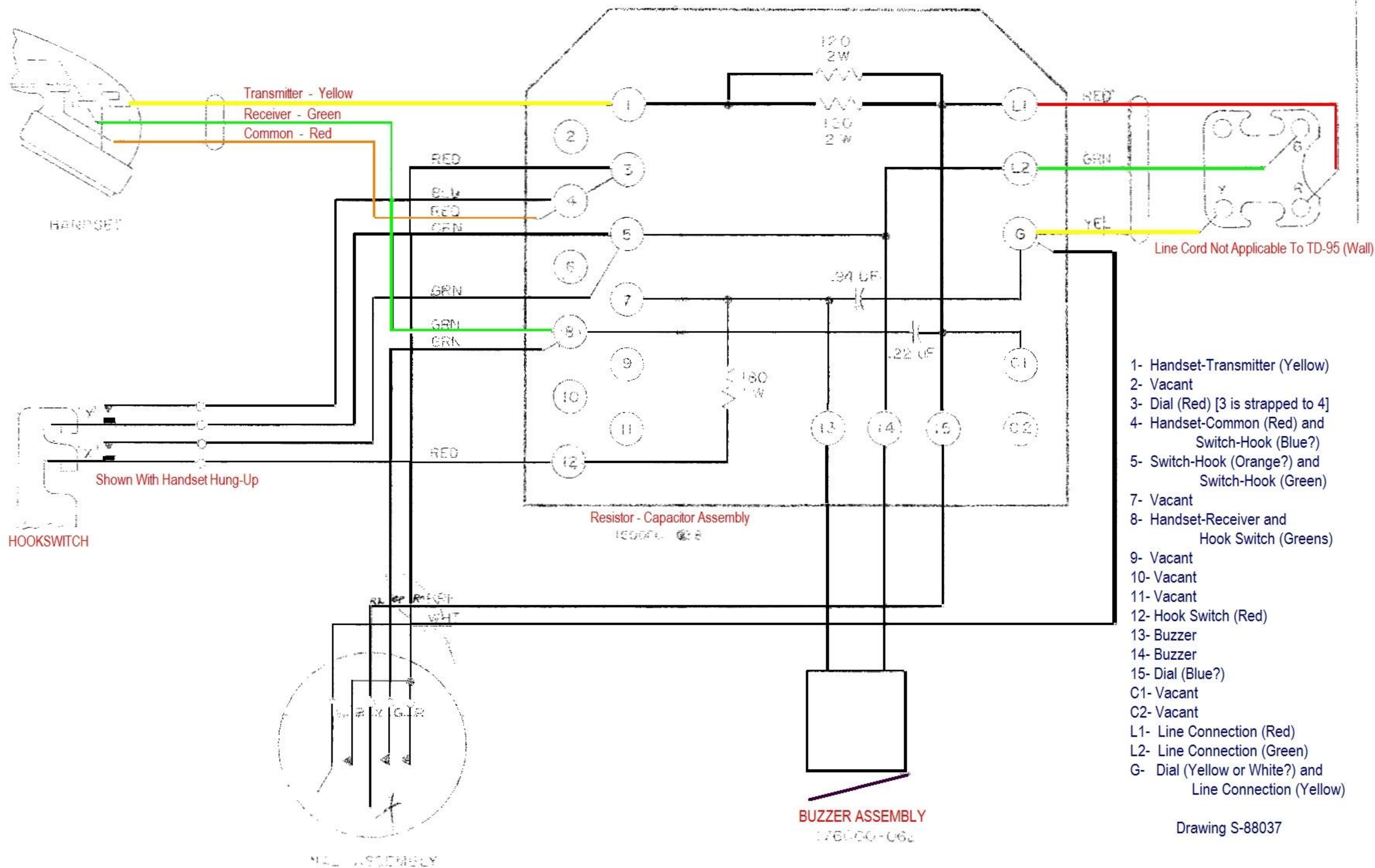


STROMBERG CARLSON WIRING AND CONNECTIONS FOR DIAL-X TD-88 & TD-95 TELEPHONES



- 1- Handset-Transmitter (Yellow)
- 2- Vacant
- 3- Dial (Red) [3 is strapped to 4]
- 4- Handset-Common (Red) and Switch-Hook (Blue?)
- 5- Switch-Hook (Orange?) and Switch-Hook (Green)
- 7- Vacant
- 8- Handset-Receiver and Hook Switch (Greens)
- 9- Vacant
- 10- Vacant
- 11- Vacant
- 12- Hook Switch (Red)
- 13- Buzzer
- 14- Buzzer
- 15- Dial (Blue?)
- C1- Vacant
- C2- Vacant
- L1- Line Connection (Red)
- L2- Line Connection (Green)
- G- Dial (Yellow or White?) and Line Connection (Yellow)

Drawing S-88037