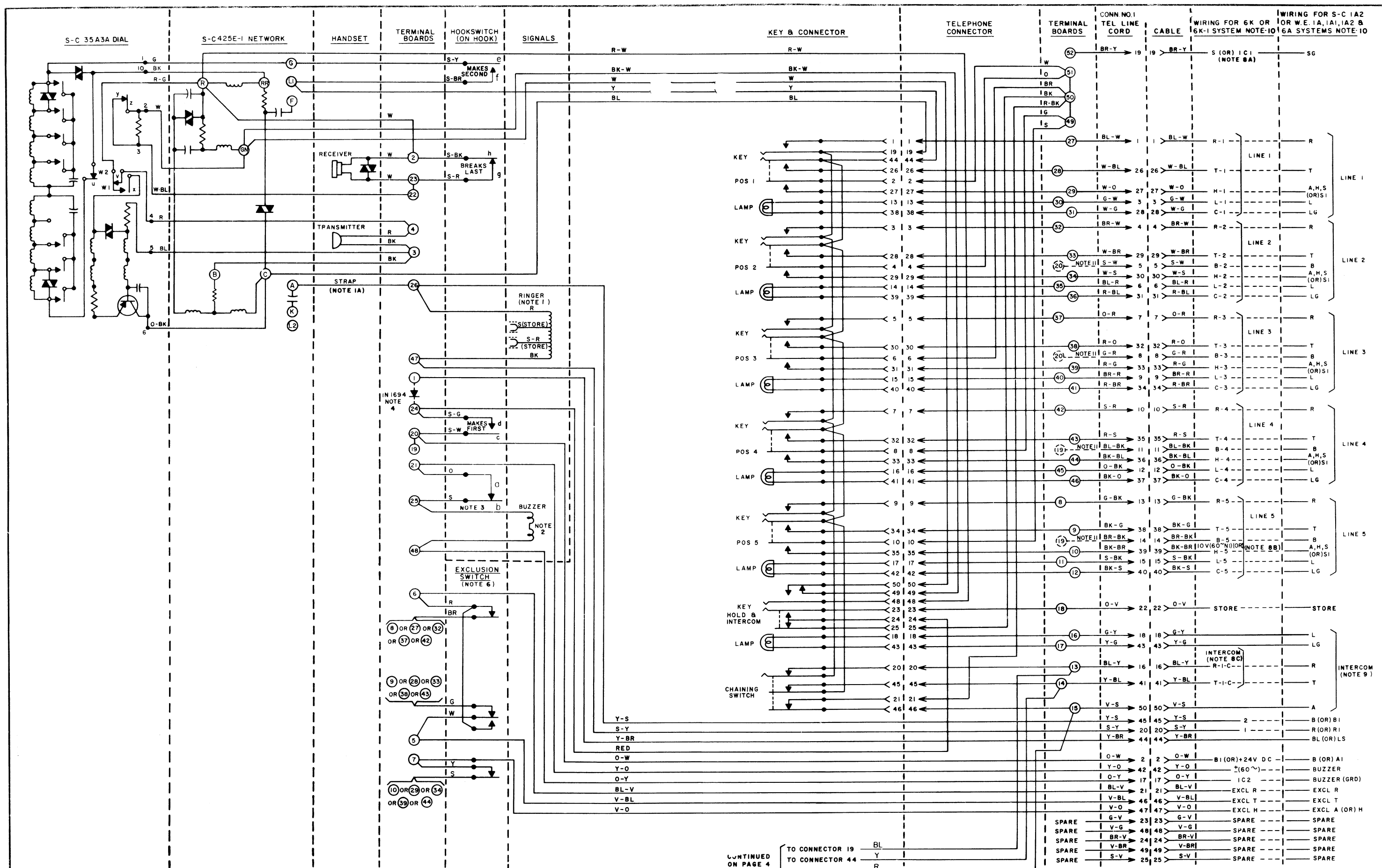


## STROMBERG-CARLSON 2800-11B11 TELEPHONE WIRING DIAGRAM

### NOTES:

1. When a COMMON SIGNAL is required using standard ringing voltage, the following options are available.
  - A. S-C series 20 straight line ringer. Order package assembly 702100-244 and wire as shown. Exception—when capacitor is required to block D.C. from ringer, connect red ringer wire to network terminal K and strap terminal 26 to network terminal A.
  - B. S-C series 20 ringer for 60 Hz. Order package assembly 702100-260. Connect black wire to terminal 47 and red wire to terminal 26. Do not wire in capacitor A-K.
  - C. Tone ringer. Order package assembly 202100-488 and wire per instruction sheet in package assembly using terminals 26 and 47.
  - D. S-C #2-A buzzer. Order package assembly 206014-621. Connect red wire to terminal 47 and brown wire to terminal 26.
2. When an INTERCOM BUZZER is required, the following options may be used.
  - A. Type 7 (A.C. or D.C.) buzzer. Requires mounting plate package assembly 206289-671.
  - B. "Q" buzzer. Mounted per instruction sheet 300981-191.
3. For INTERCOM BUZZER to be audible when off-hook, move buzzer lead from terminal 25 to 21.
4. When telephone is used with W.E. BUSY LAMP FIELD, move slate-green hookswitch wire from terminal 24 to 1 and add 1N1694 diode (S-C part no. 202852-138) as shown.
5. When telephone is used with S-C 1A2 BUSY STATION NUMBER DISPLAY, order diode package assembly 206286-451 and change wiring per instruction sheet in package assembly.
6. When MANUAL EXCLUSION feature is desired, order package assembly 206289-781 and wire as shown. Use terminals 27, 28 and 29 for exclusion on line 1; 32, 33 and 34 for exclusion on line 2; 37, 38 and 39 for exclusion on line 3; 42, 43 and 44 for exclusion on line 4; or 8, 9 and 10 for exclusion on line 5. Connect BL-V, V-BL and V-O conductors of cable to excluded line of excluded stations.
7. When a KEY POSITION is used as a SIGNALING POSITION, remove screw from key plunger to make key position non-locking and make the following wiring change.
  - A. Position 1 - move white wire from terminal 51 to 52.
  - B. Position 2 - move orange wire from terminal 51 to 52.
  - C. Position 3 - move brown wire from terminal 50 to 52.
  - D. Position 4 - move green wire from terminal 49 to 52.
  - E. Position 5 - move slate wire from terminal 49 to 52.
  - F. Position 6 - move white wire from terminal 53 to 52.
  - G. Position 7 - move orange wire from terminal 53 to 52.
  - H. Position 8 - move brown wire from terminal 54 to 52.
  - I. Position 9 - move black wire from terminal 54 to 52.
  - J. Position 10 - move green wire from terminal 55 to 52.
  - K. Position 11 - move slate wire from terminal 55 to 52.
8. To use telephone with 6K-1 SYSTEM.
  - A. Strap terminals IC1 and IC2.
  - B. When position 5 is used as line 5 connect BK-BR to H5. When position 5 is used as a signaling position, connect to 10V (60 ~ NI) and remove screw from key plunger to make key position non-locking.
  - C. To provide intercom with all buttons released, connect T-I-C and R-I-C to T and R of intercom line circuit for manual intercom as shown. If telephone has one key strip, it is not necessary to connect S-Y and Y-S wires in orange-white binder. If telephone has two key strips, BL-Y and Y-BL line cord wires in blue-white binder must be disconnected from terminals 13 and 14.
9. In S-C 1A2 or W.E. 1A2 SYSTEM, to provide intercom with all buttons released, connect T, R, A, L and LG to dial or manual intercom circuit as shown. If telephone has one key strip, it is not necessary to connect S-Y, Y-S, and Y-BR wires in orange-white binder. If telephone has two key strips, BL-Y, Y-BL and V-S line cord wires in blue-white binder must be disconnected from terminals 13, 14, and 15. S-C 247B KTU is required when using telephone with dial intercom.
10. To convert telephone for use with S-C 6K or W.E. 1A SYSTEMS, the following changes are required. (No changes are required for S-C 6K-1 or W.E. 1A1 systems).
  - A. Remove all wires from terminals 19 and 20 and store.
  - B. Move slate-yellow hookswitch wire from terminal G to terminal 19.
  - C. Move white key wire from terminal GN to terminal 20
  - D. Move black-white key wire from terminal GN to terminal G.
  - E. Move black key wire from terminal 50 and store.
  - F. Move red-white key wire from terminal R to terminal 50.
11. When "B" LEADS are NOT REQUIRED, "B" lead wires may be used as spares or multiplied together as A1 leads on terminals 19 and 20.  
When POLARITY GUARD is required for TONE DIAL SIGNALING under reverse battery conditions order package assembly 703016-852.



CONTINUED ON PAGE 4

TO CONNECTOR 19 BL  
 TO CONNECTOR 44 Y  
 TO TERM 56 R

