

## GROUP ALERTING SYSTEM STATION APPARATUS CONNECTIONS

### 1. GENERAL

**1.01** This section covers connections of station apparatus and modifications of the telephone sets associated with the group alerting system. It is reissued to incorporate a modified 565GK telephone set to replace the 565GBR telephone set which is rated MD, and to generally update section.

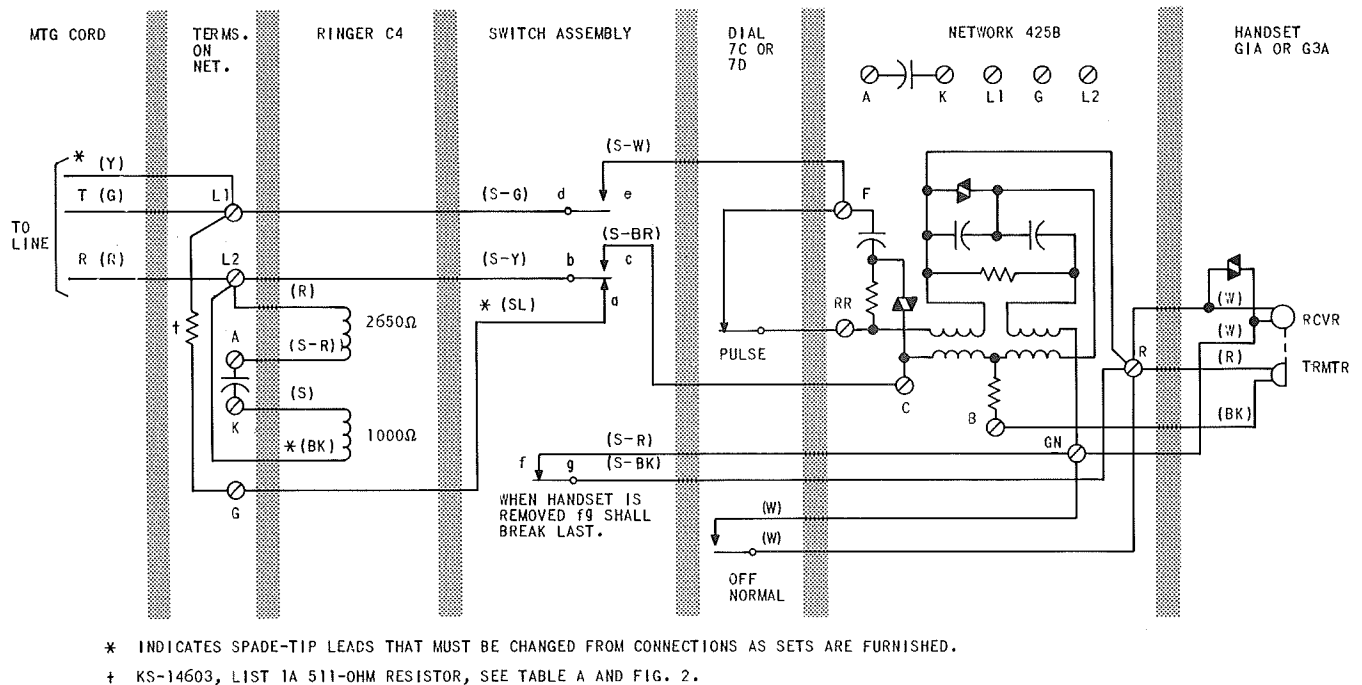
**1.02** The 53B control unit is designed for use with the KS-16765, List 1 announcement set. It is not compatible with the 2AB telephone answering set.

### 2. MODIFICATIONS

**2.01** When a minimum system is involved, the control station will require a 500DR telephone set modified as shown in Fig. 1, 2, and Table A. A KS-14603, List 1A resistor (511 ohms) shall be added as shown.

**2.02** Control stations employing the automatic announcement feature will require a 565GK or a 565GBR (MD) telephone set modified per Table B.

**2.03** If a KS-16765, List 1 announcement set with a serial number lower than 6677 is used with



**Fig. 1—Wiring Modifications, 500DR Telephone Set**

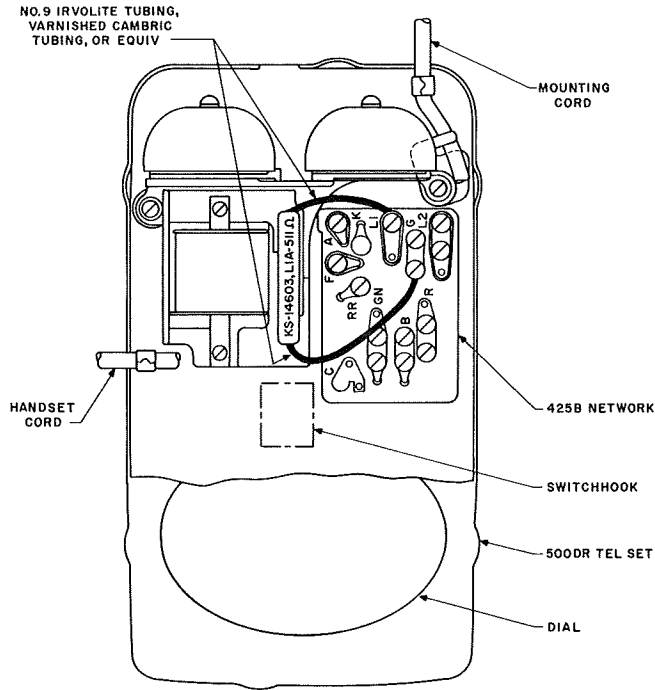


Fig. 2—Placement of Resistor, 500DR Telephone Set

TABLE A

MODIFY THE TELEPHONE SET OF FIG. 1 AS SHOWN		
WIRE OR LEAD	REMOVE FROM	CONNECT TO
Black Ringer	G	L2
Slate Switch Assembly	L2	G
Yellow Cord	G	L1

**Note:** Connect a 511-ohm KS-14603, List 1A resistor between terminals L1 and G of 425B network as shown in Fig. 2.

TABLE B

LEAD	REMOVE FROM	CONNECT TO
S-W	1B	M
W-BR	M	EB
BK-BR	M	1B
S-G	M	L2
BK-W	1H	EH
Y (Dial)	1B	SG
G-Y	1T	*
R-Y	1R	*

\* Insulate and store.

a 53B control unit, it will be necessary to add the following leads in the announcement set:

5 make A relay to 11 of TB1

6 make D relay to 14 of TB1

Announcement sets with serial number 6677 and higher have this wiring placed during manufacture as N option.

**3. CONNECTIONS**

**3.01** The 500DR telephone set is connected to its line facilities as shown in Fig. 1.

**3.02** When a 565GK or a 565GBR (MD) and its associated apparatus are used, it will be necessary to measure the loss in dB of the monitoring line. Place straps on TB1 of the 53-type control unit per Table C.

**TABLE C**

**DEPENDING UPON THE MEASURED LINE LOSS OVER THE (MON) LOOP, TERMINALS ON TB1 OF 53-TYPE CONTROL UNIT SHALL BE STRAPPED AS FOLLOWS:**

LINE LOSS (dB)	STRAP TERMINALS ON TB1
0 to 2	14-39, 35-37
2 to 6	13-15, 11-36, 11-12, 37-38
6 to 9	13-14, 12-15, 35-36, 38-39
Greater than 9	11-15, 37-39

**USING 565GBR (MD) TELEPHONE SET**

**3.03** A 53A control unit used with a 2AB telephone answering set is connected as shown in Fig. 3. A 53A control unit used with a KS-16765, List 1 announcement set is connected as shown in Fig. 4. A 53B control unit used with a KS-16765, List 1 announcement set is connected as shown in Fig. 5.

**USING 565GK TELEPHONE SET**

**3.04** A 53A control unit used with a 2AB telephone answering set is connected as shown in Fig. 6. A 53A control unit used with a KS-16765, List 1 announcement set is connected as shown in Fig. 7. A 53B control unit used with a KS-16765, List 1 announcement set is connected as shown in Fig. 8.

SECTION 480-310-400

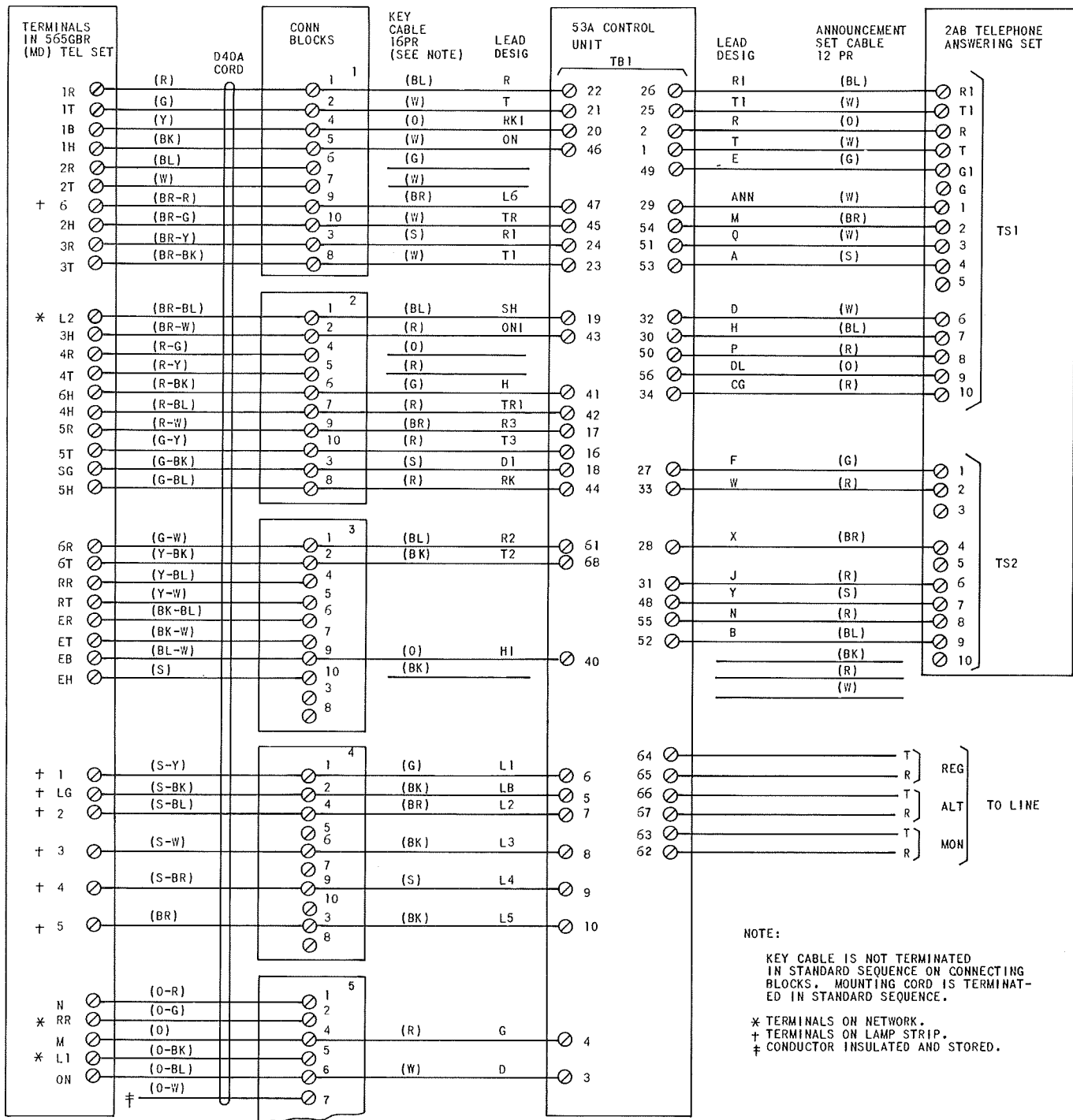


Fig. 3—Connection Diagram 565GBR (MD) Telephone Set, 53A Control Unit and 2AB Telephone Answering Set

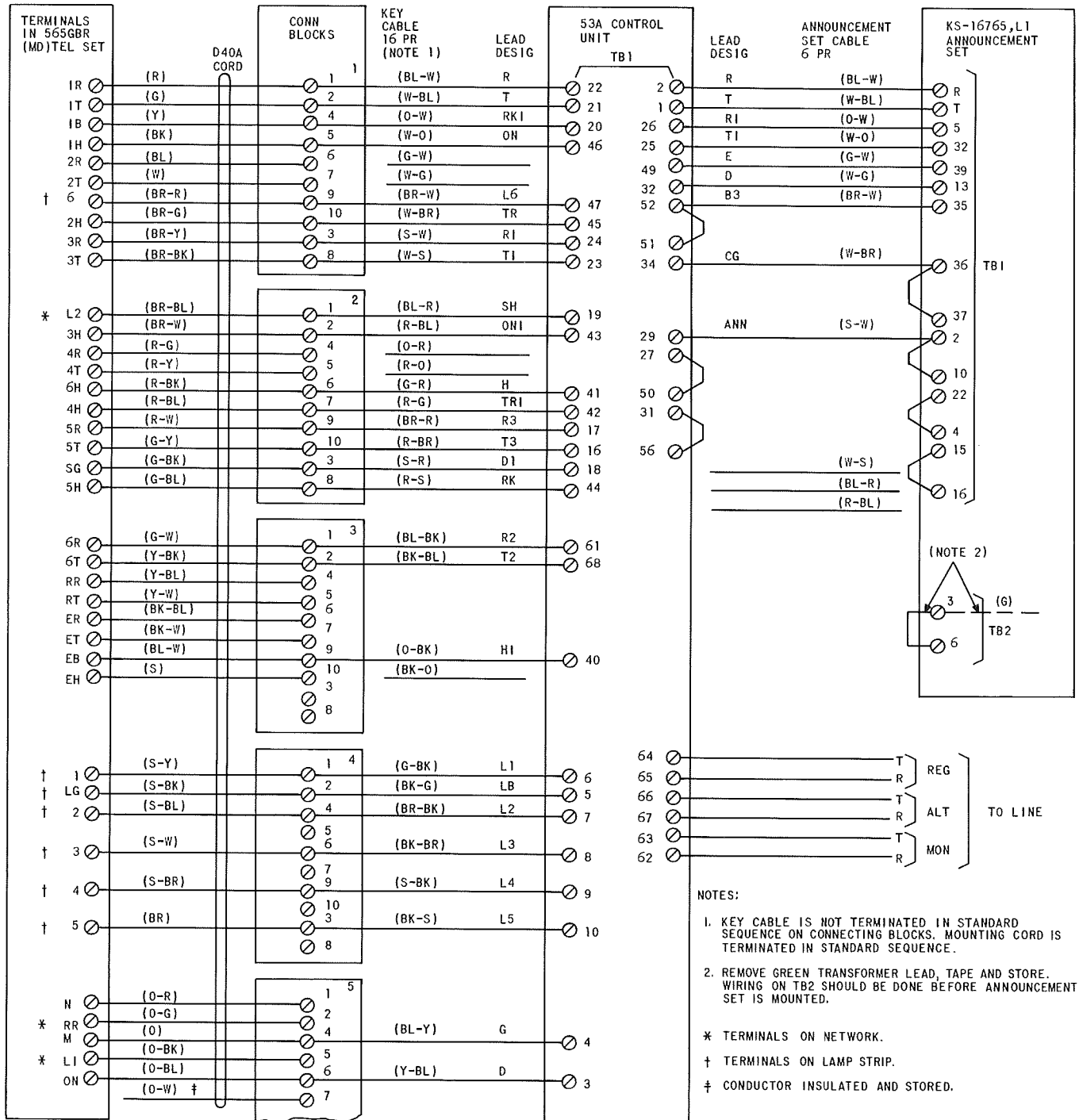


Fig. 4—Connection Diagram 565GBR (MD) Telephone Set, 53A Control Unit and KS-16765, List 1 Announcement Set

SECTION 480-310-400

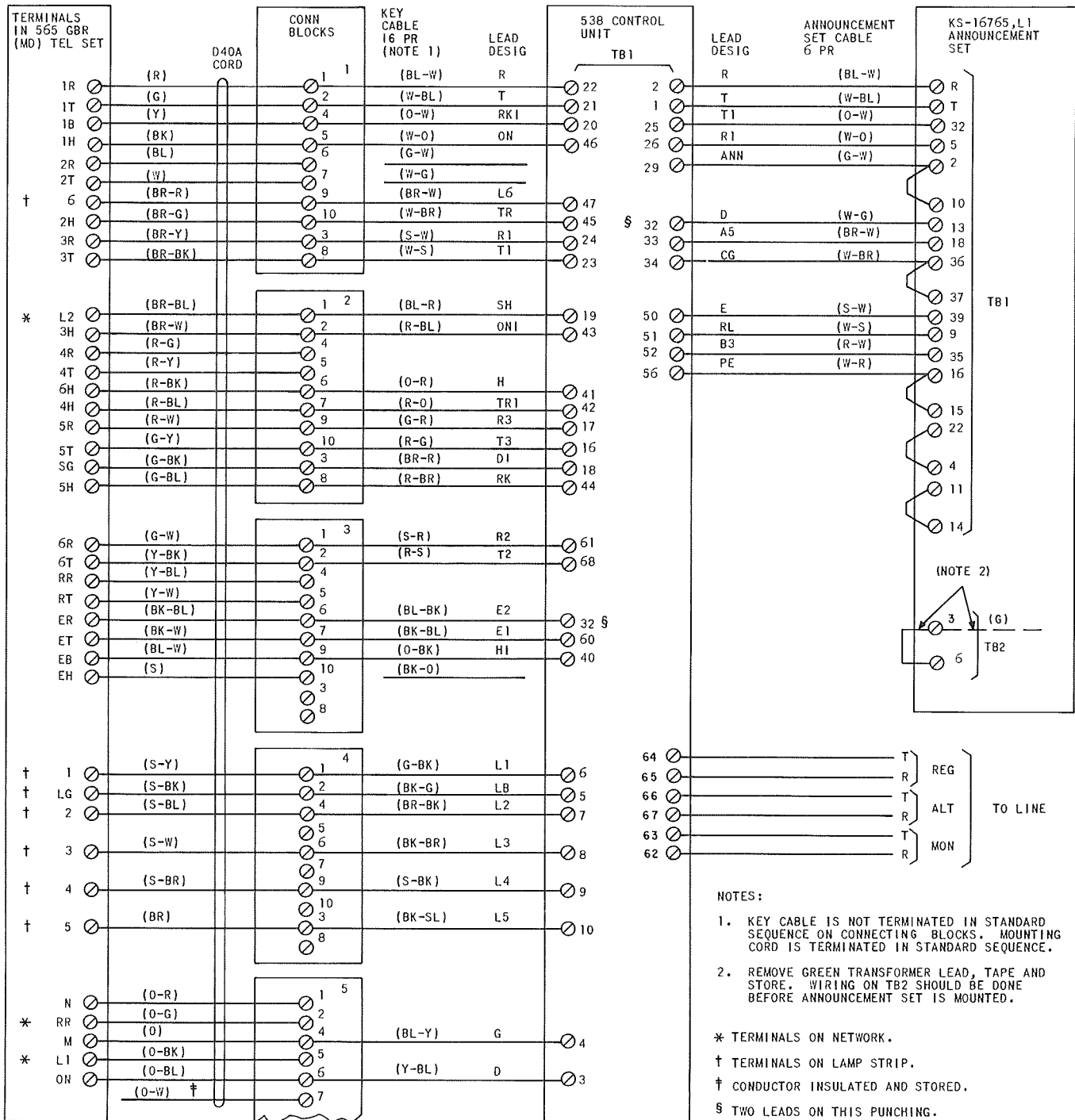


Fig. 5—Connection Diagram 565GBR (MD) Telephone Set, 53B Control Unit and KS-16765 List 1 Announcement Set

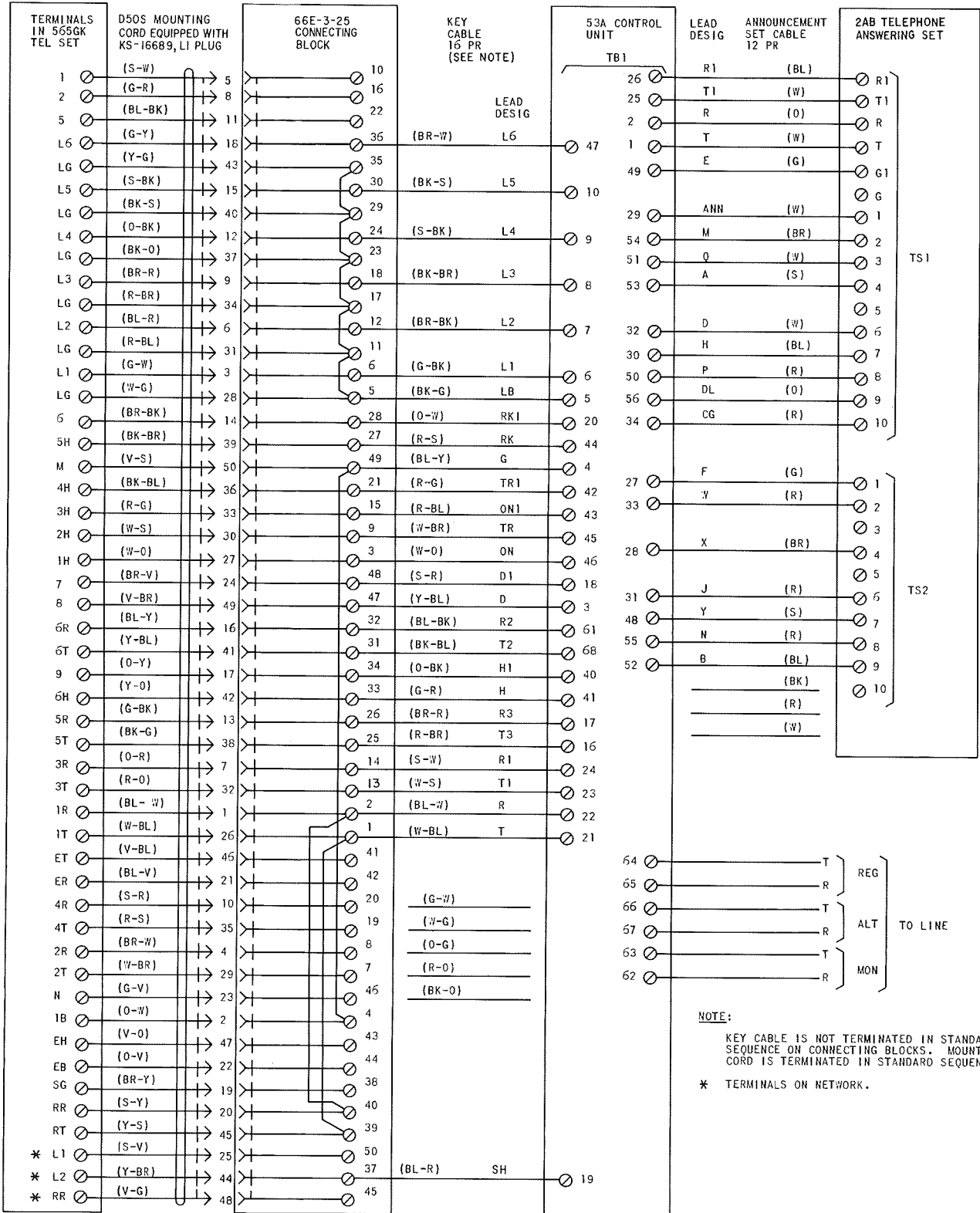


Fig. 6—Connection Diagram 565GK Telephone Set, 53A Control Unit and 2AB Telephone Answering Set



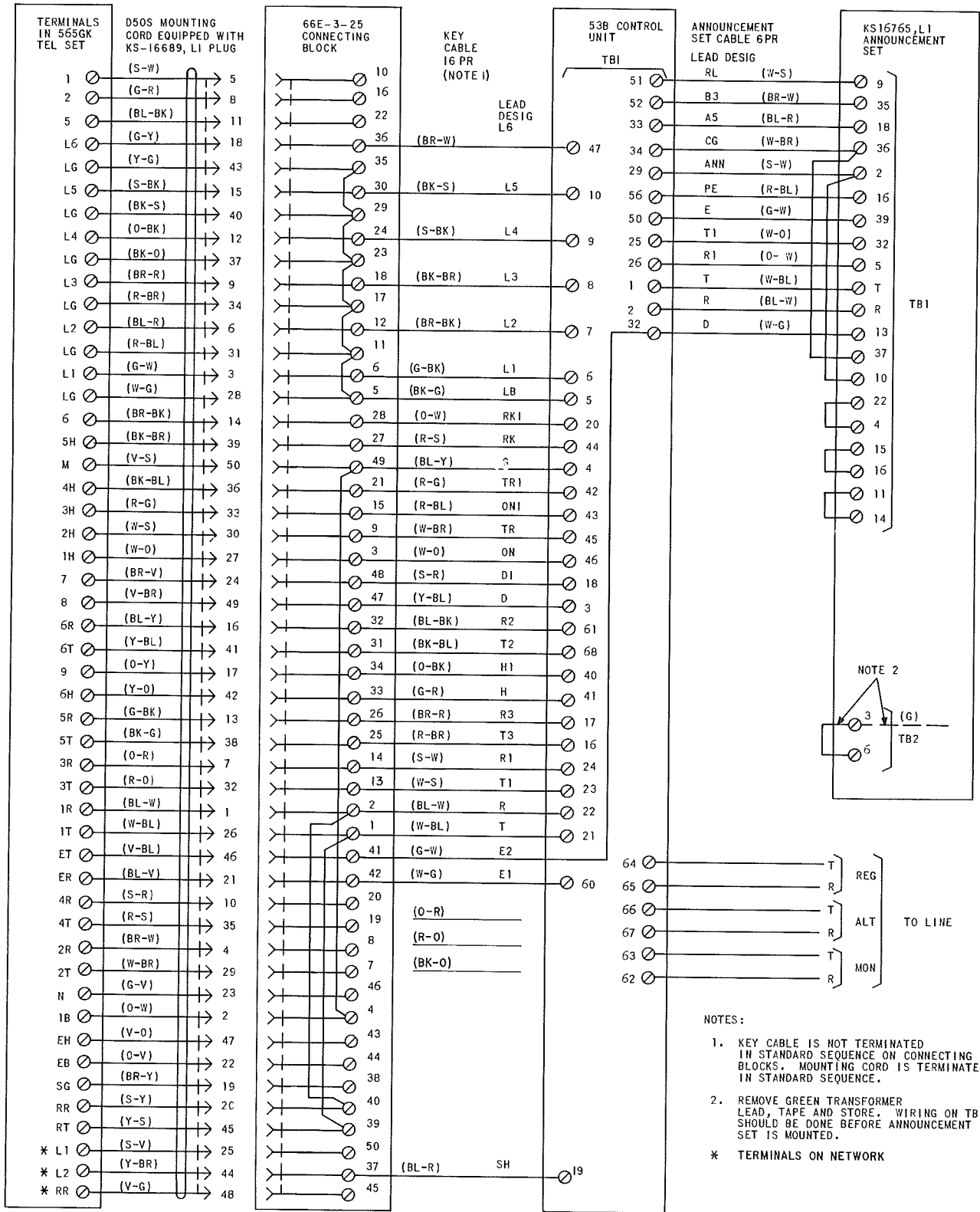


Fig. 8—Connection Diagram 565GK Telephone Set, 53B Control Unit and KS-16765, List 1 Announcement Set