

SPECIAL CONNECTIONS FOR TELEPHONE SETS AND SUBSCRIBER SETS  
USING 3-ELEMENT ELECTRON TUBES IN RINGING CIRCUIT

2.00 GENERAL

2.01 Connect R lead from 426A tube to L1 on all negative ring and tip parties at 4- and 8-party stations. This bridges the control gap of the tube across the line and prevents bell tap and possible false test for tip party.

2.02 Fig. 1 shows these tube connections using the 556-type telephone set as an example.

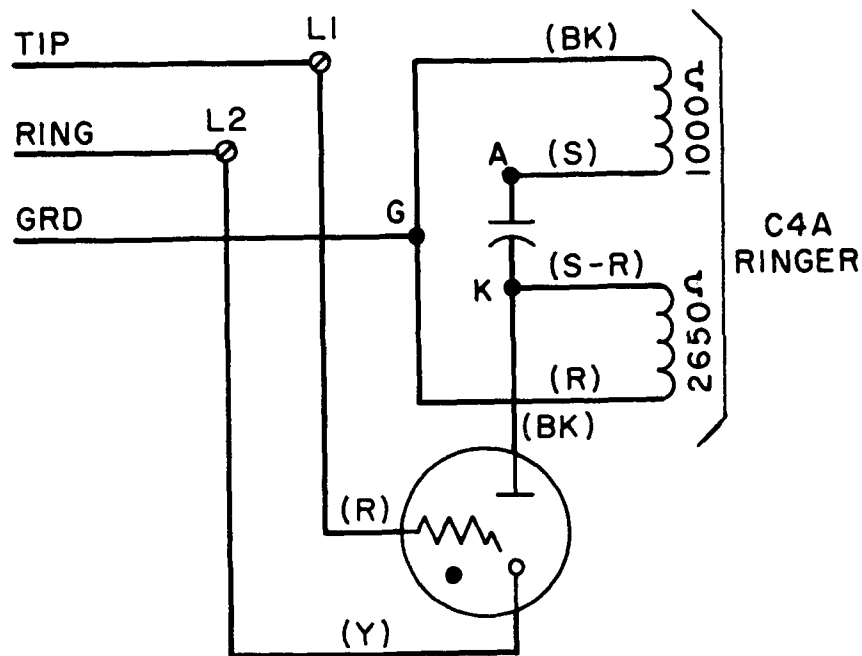


Fig. 1 - Tube Connections for 556-Type Telephone Set at Negative Ring Station