

## 2A TELEPHONE ANSWERING SET CONNECTIONS

### 1.00 GENERAL

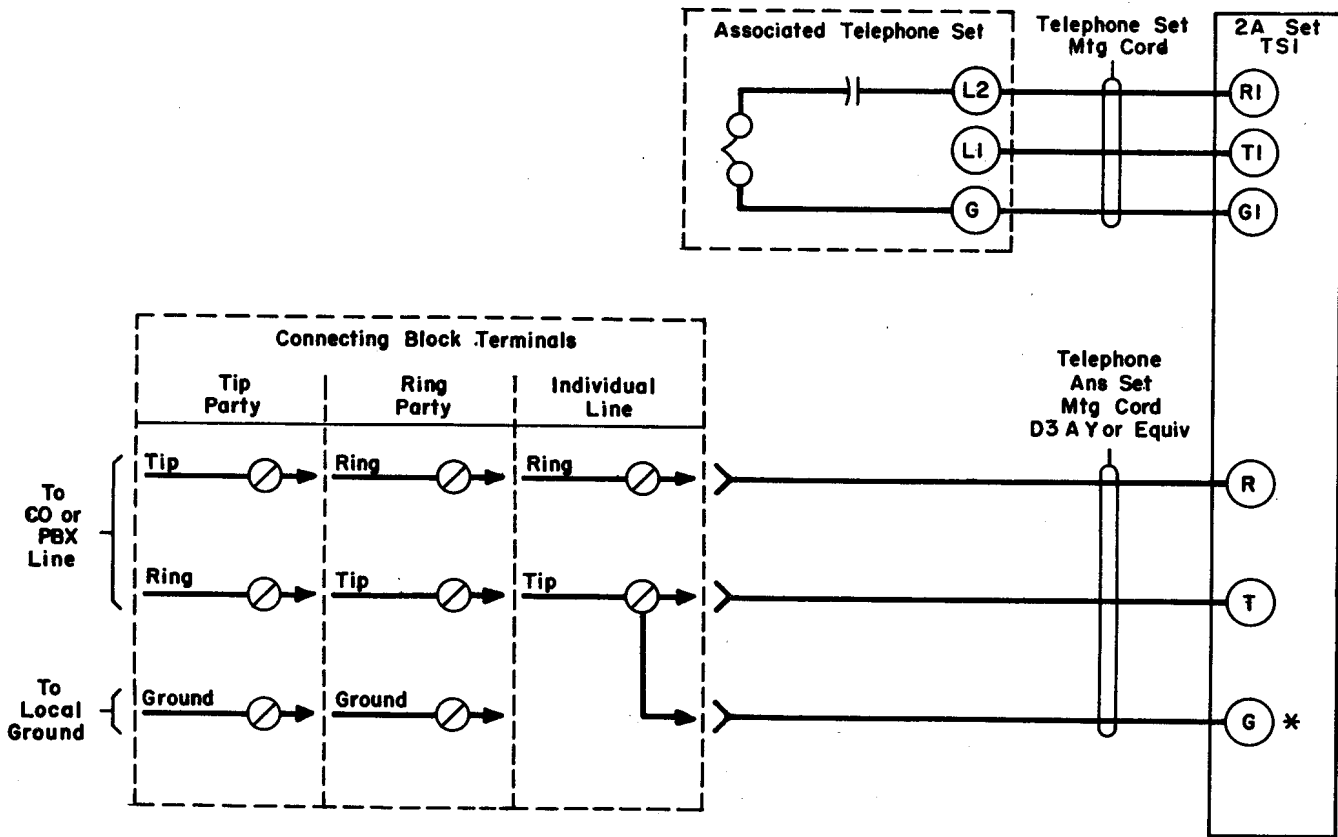
1.01 The telephone set associated with all 2A telephone answering sets should have an anti-sidetone circuit and a high-impedance ringer, and should be equipped with an F- or G-type hand set.

1.02 The 2A telephone answering set, as normally connected, is equivalent to one high-impedance ringing bridge.

1.03 If desired, the ringer in the associated telephone set may be connected to ring with

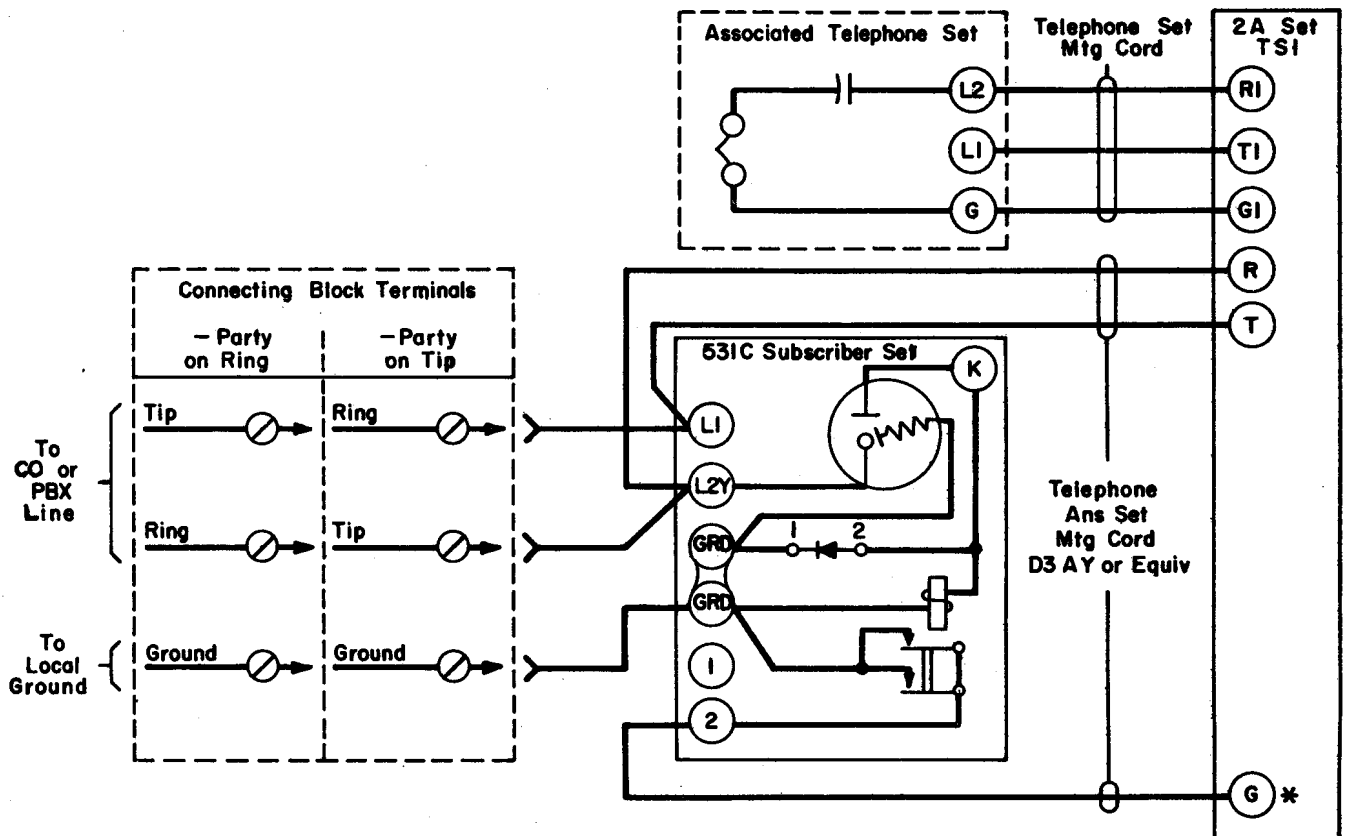
the 2A telephone answering set turned on. A strap should be placed between *G* and *G1* on terminal strip TS1. This wiring option will connect the telephone set ringer in parallel with the ringing relay in the telephone answering set when the function selector knob is in AUTOMATIC ANSWER position. When connected in this manner, the installation is equivalent to two high-impedance ringing bridges.

1.04 The 2A telephone answering set should be connected as shown in Fig. 1, 2, and 3 except, where a 531C subscriber set is used, wiring changes must be made as shown in Fig. 2 and 3.



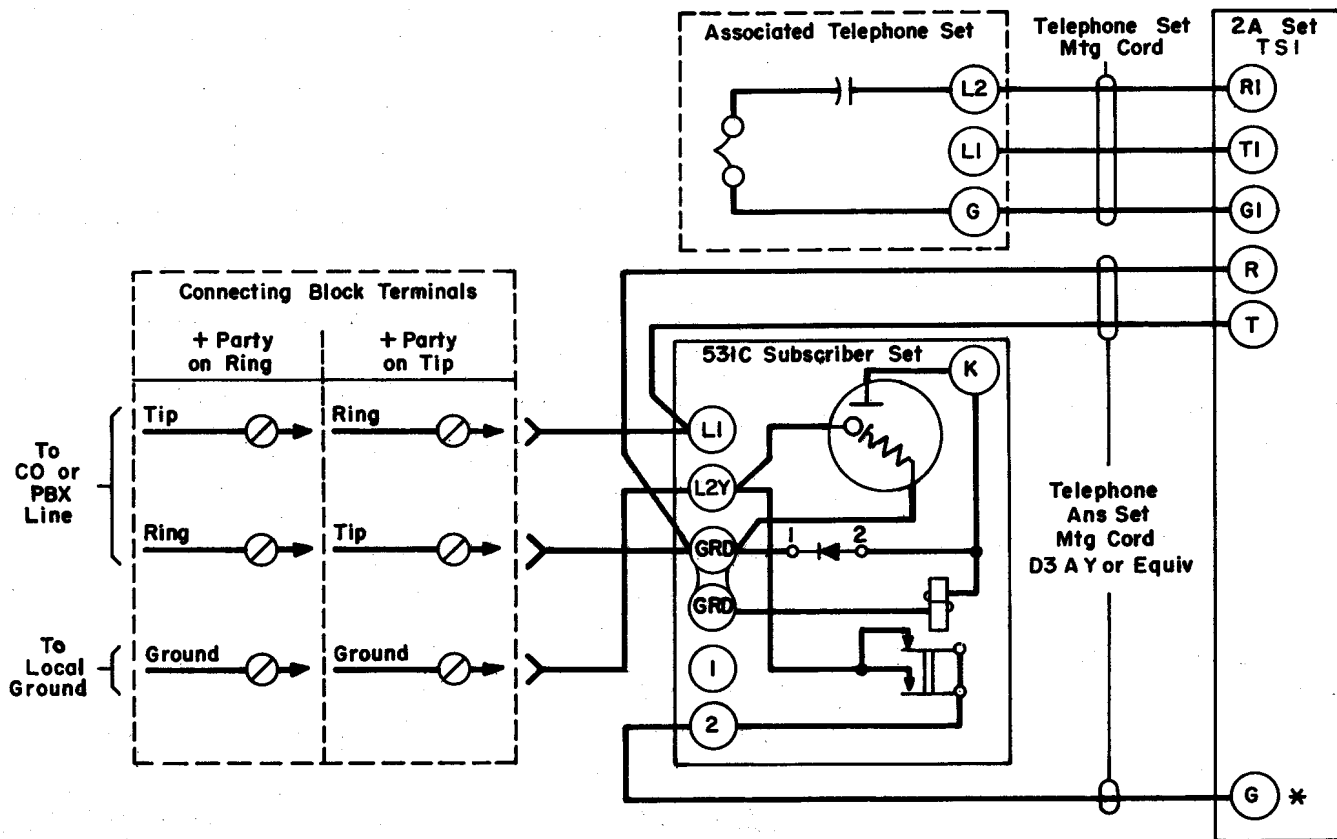
\* Strap G to G1 on TS1 for ringer in telephone set to ring with answering set turned on.

Fig. 1 - 2A Telephone Answering Set, Station Connections for Individual Line, 2-Party Selective, Flat or Message Rate, Manual or Dial



\* Strap G to G1 on TS1 for ringer in telephone set to ring with answering set turned on.

Fig. 2 - 2A Telephone Answering Set, Station Connections for 4-Party Selective, Flat or Message Rate, Manual or Dial, (-) Party on Tip or Ring



\* Strap G to G1 on TS1 for ringer in telephone set to ring with answering set turned on.

**Fig. 3 — 2A Telephone Answering Set, Station Connections for 4-Party Selective, Flat or Message Rate, Manual or Dial, (+) Party on Tip or Ring**