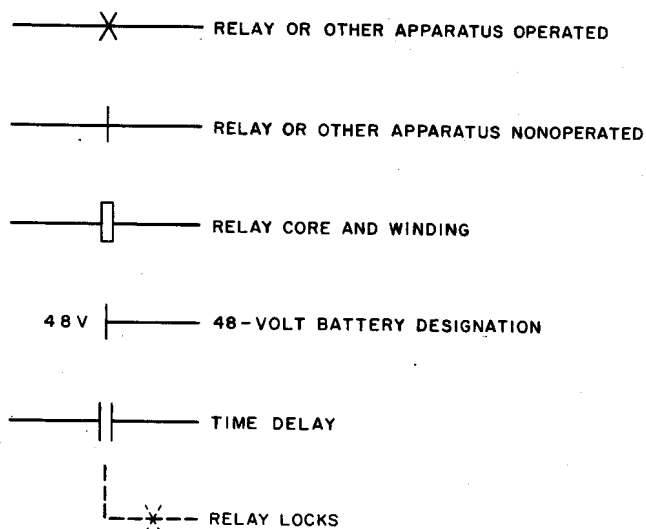


## 2A TELEPHONE ANSWERING SET OPERATION

### 1.00 GENERAL

- 1.01 This section describes operation of the 2A telephone answering set.
- 1.02 This section is reissued to make changes in sequence charts and operational sketches.
- 1.03 Sequence charts and operational sketches for the 2A telephone answering set are as follows:
- Announcement Dictate (Fig. 1 and 2)
  - Announcement Check (Fig. 3 and 4)
  - Automatic Answer (Fig. 5 and 6).
- 1.04 Symbols for sequence charts are as follows:



2.00 ANNOUNCEMENT DICTATE

1. Turn OFF-ON knob to ON (Bell System medallion lights).
2. Turn function selector knob to ANNOUNCEMENT DICTATE.
3. Pick up associated telephone handset.
4. Depress and hold down operate (O) button.
5. When dictate (red) lamp lights, dictate message clearly and distinctly into handset transmitter.
  - Dictate (red) lamp flashes approximately 5 seconds before end of announcement time.
6. Release operate (O) button promptly on completion of message, then hang up telephone.

**Note:** If message is incomplete when recording drum stops, the content of announcement must be modified. To extend announcement time see section entitled 2A Telephone Answering Sets, Adjustment. The recorded announcement is automatically erased as a new announcement message is recorded.



3.00 ANNOUNCEMENT CHECK

1. Turn OFF-ON knob to ON (Bell System medallion lights).
2. Turn function selector knob to ANNOUNCEMENT CHECK.
3. Pick up associated handset.
4. Depress operate (O) button.
5. Listen to recorded announcement message reproduced in telephone handset receiver.

**Note:** A new announcement message should be recorded if:

- The message is not clearly understandable.
- The message is not appropriate for intended use.

SEQUENCE CHART

OPERATIONAL SKETCH

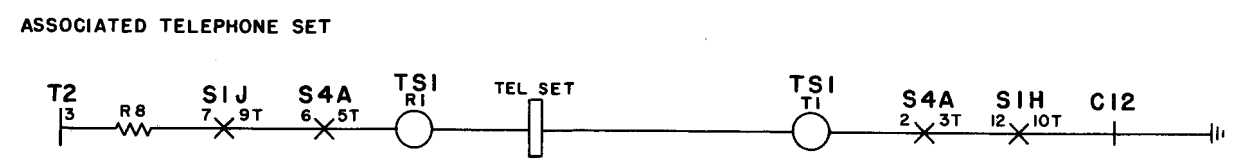
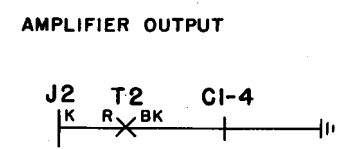
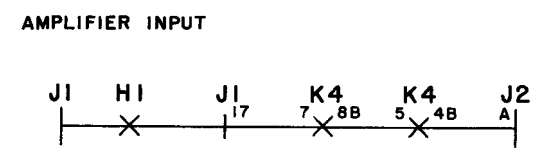
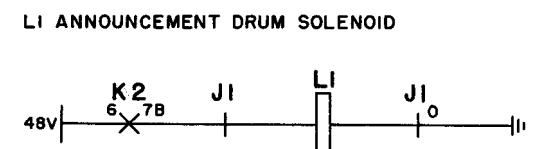
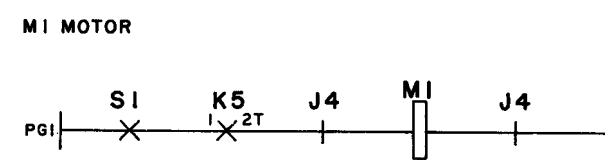
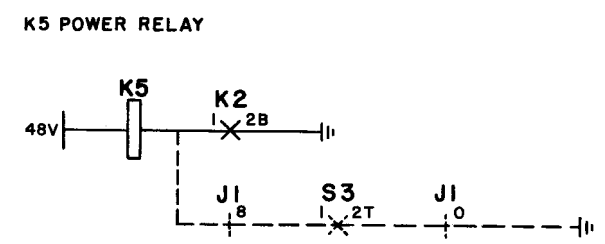
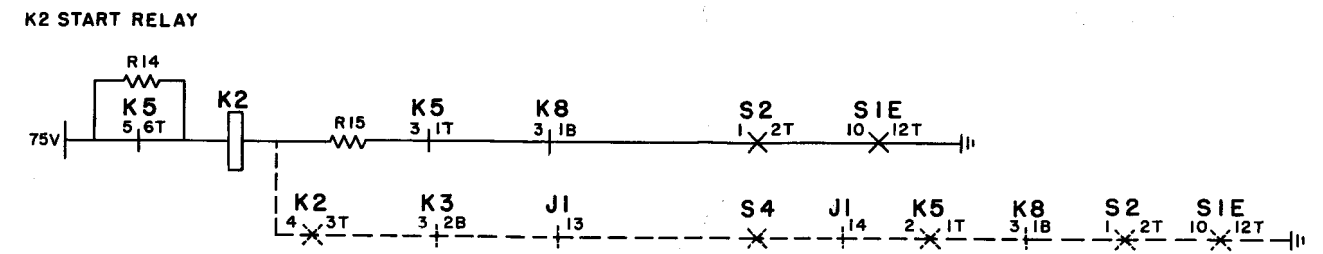
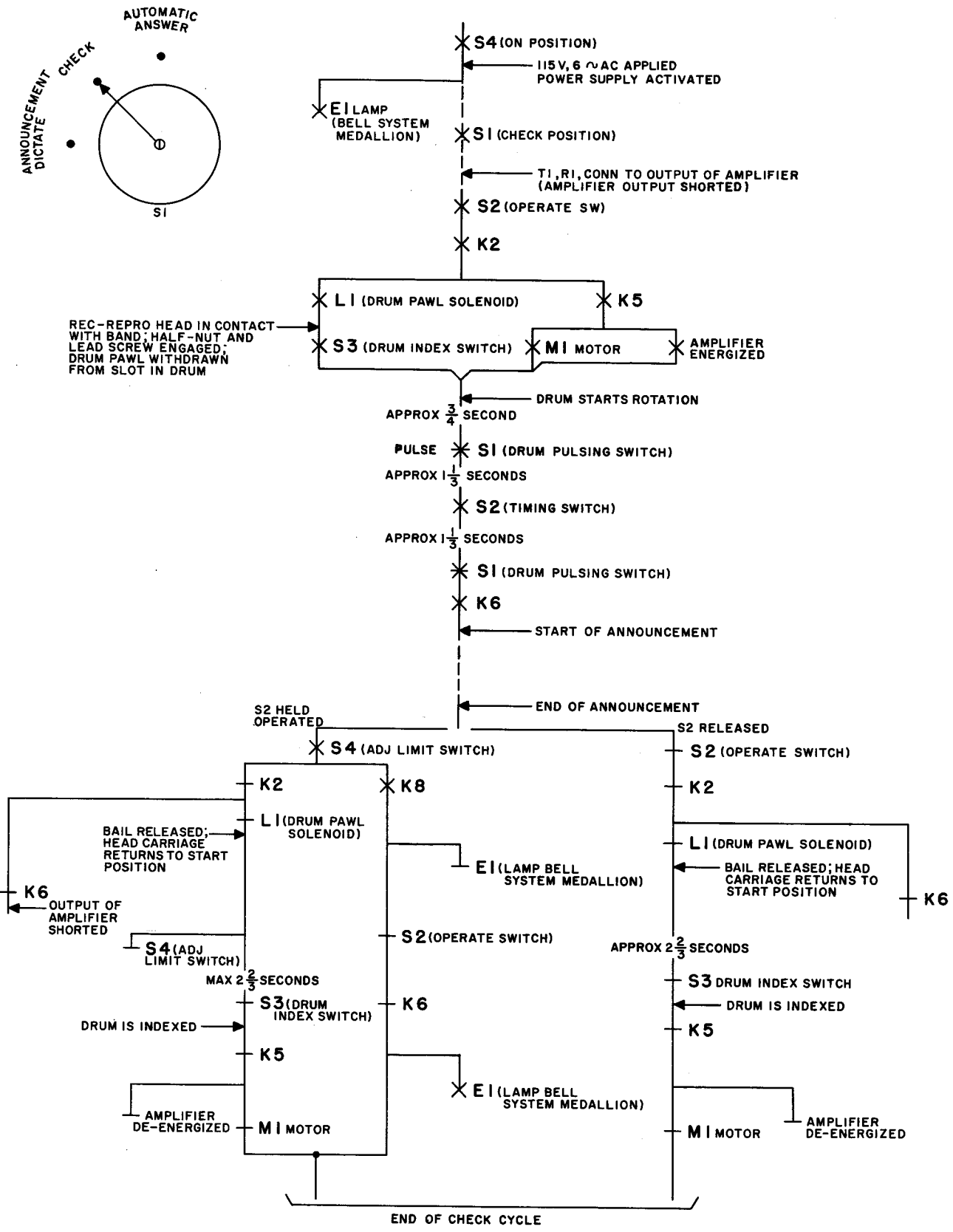


Fig. 3 and 4 - Announcement Check

**4.00 AUTOMATIC ANSWER**

1. Turn OFF-ON knob to ON (Bell System medallion lights).
2. Turn function selector knob to AUTOMATIC ANSWER.
  - Amber lamp, automatic answer lights.
  - Telephone answering set is now ready to automatically answer a call.

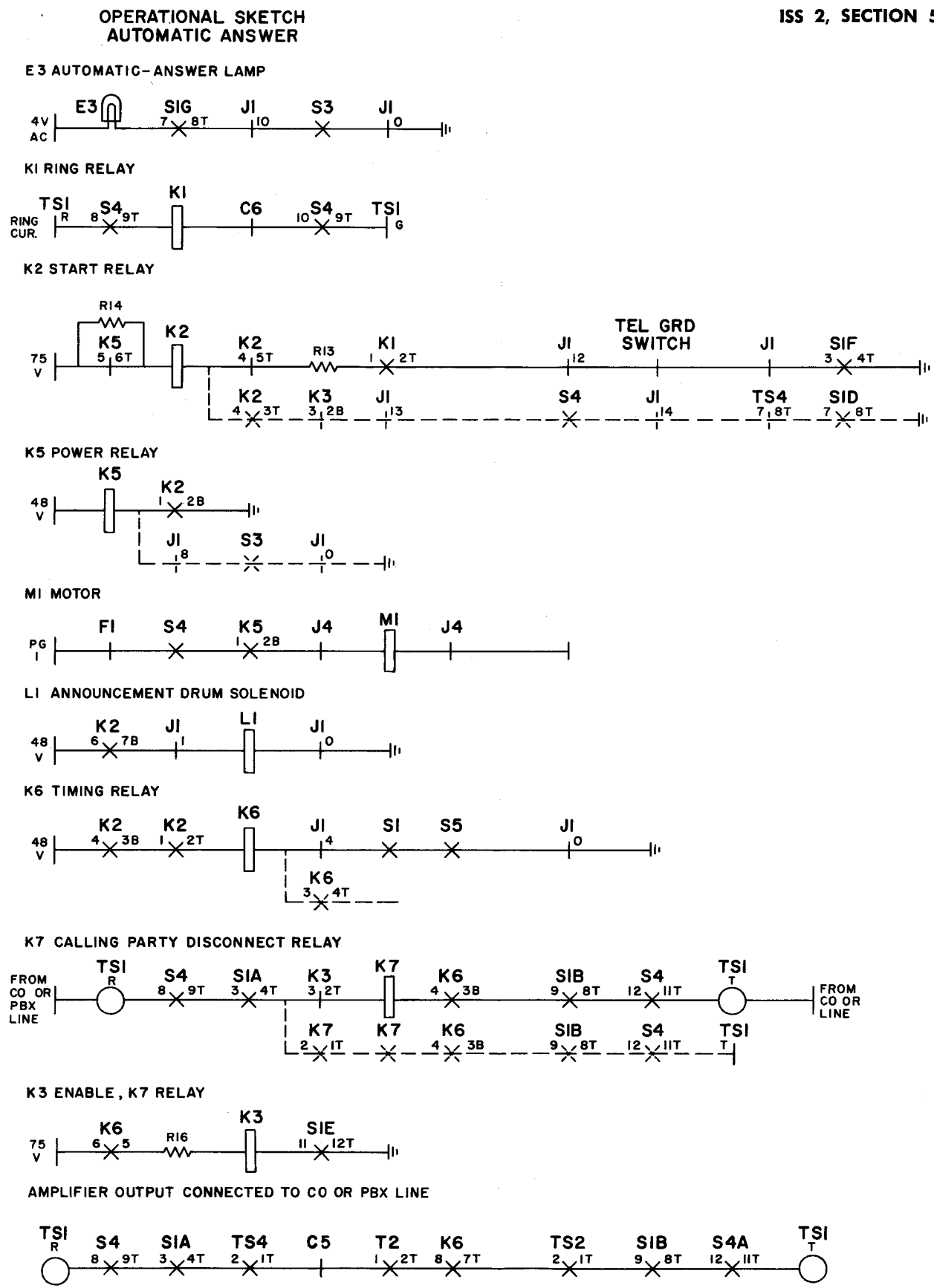
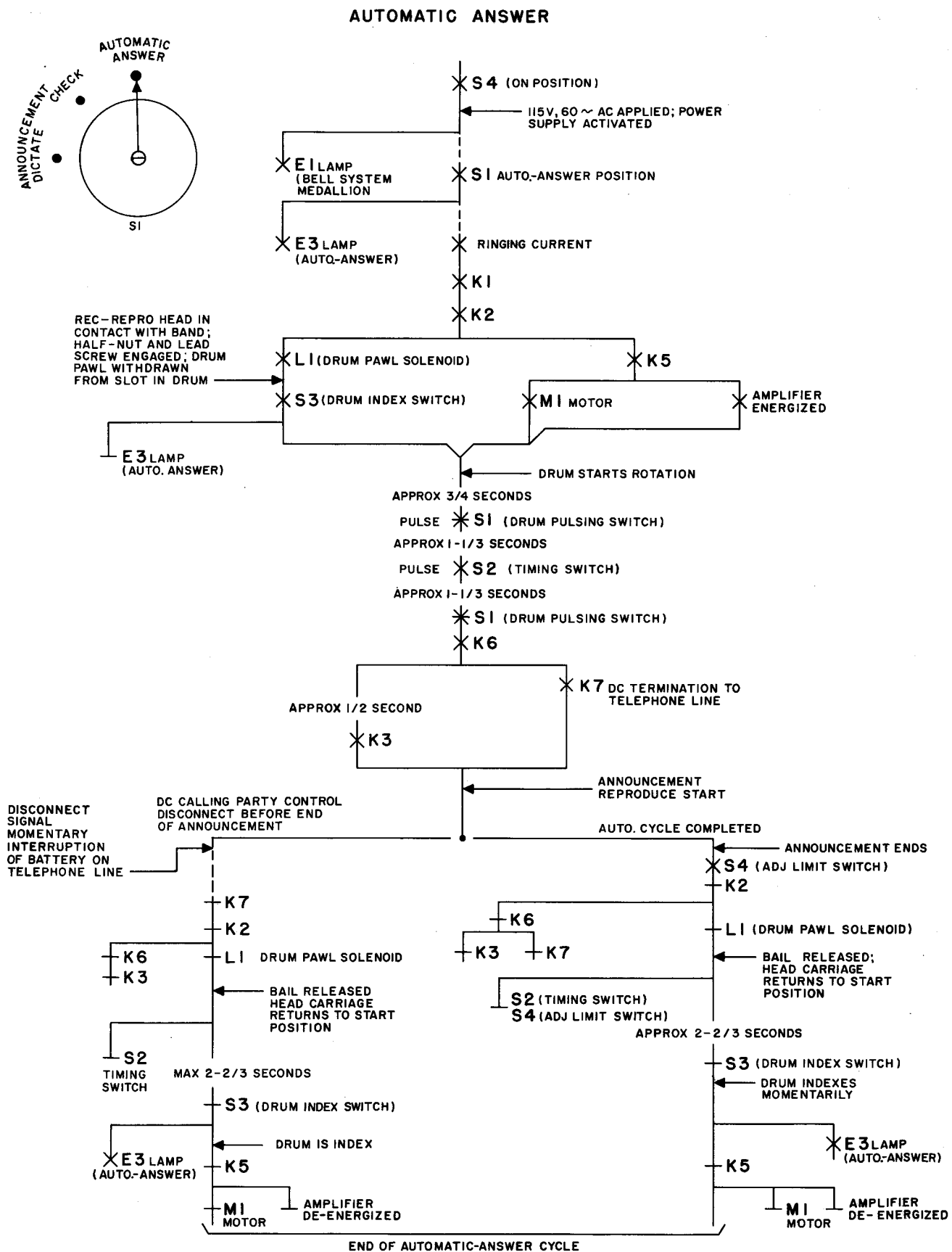


Fig. 5 and 6 - Automatic Answer