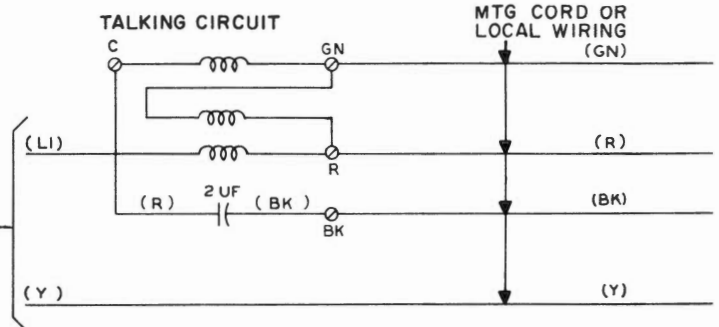
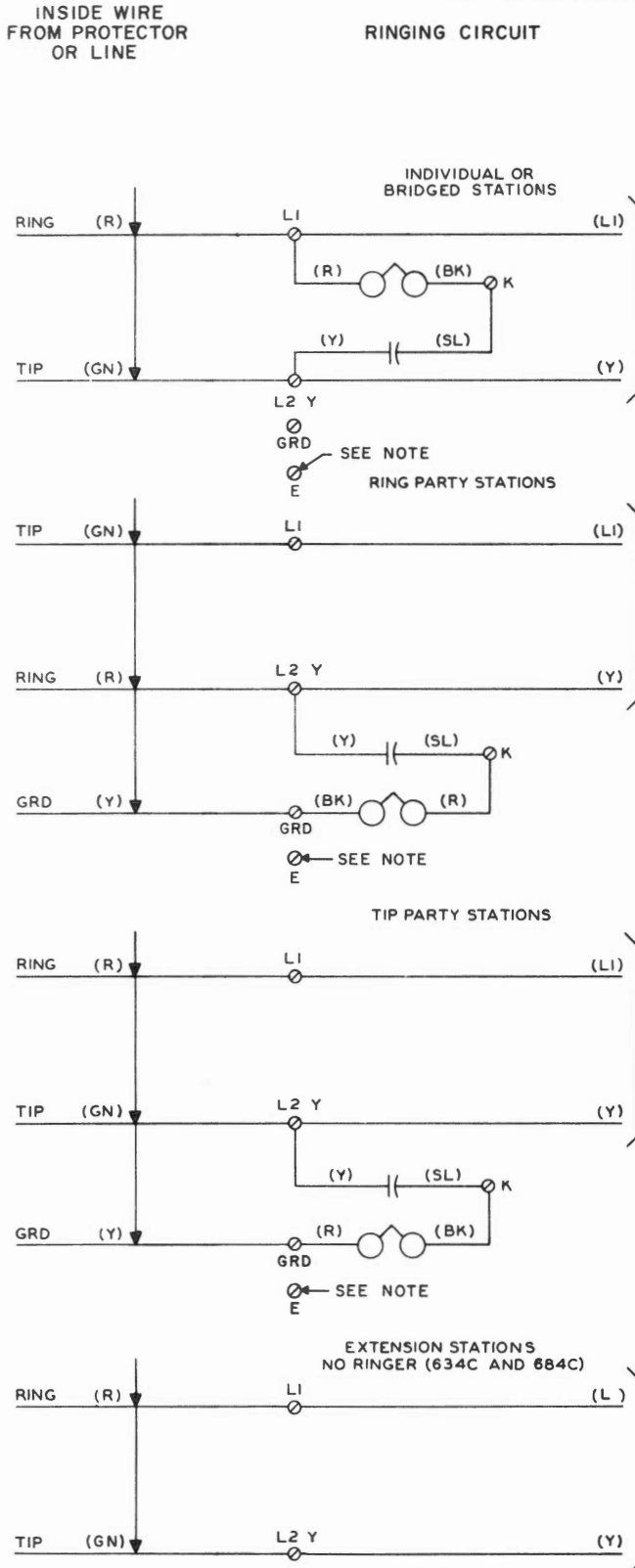


**SUBSCRIBER SETS—634A,BA,C, 684A,BA,C**  
**COMMON BATTERY – INDUCTION COIL TYPE – USED WITH**  
**HAND TELEPHONE SETS – CONNECTIONS**



**Note:** E terminal is provided only on 684A and 684BA subscriber sets.

**TABLE A**  
**CONNECTIONS**

Wire or Lead		Indiv or Bridged	Ring Party Stations	Tip Party Stations
Inside Wire from Protector or Line	Ring	R	L1	L1
	Tip	GN	L2Y	L2Y
	Grd	Y	—	GRD
Ringer Lead (See Note)		R	L1	GRD
		BK	K	K
Mounting Cord or Local Wire to Hand Tel Set		GN	GN	GN
		R	R	R
		BK	BK	BK
		Y	L2Y	L2Y

**Note:** To silence the ringer permanently, connect the red and black ringer leads to the K terminal.

**TABLE B**  
**ASSOCIATED APPARATUS**

Class of Service	Hand Telephone Sets	
	Hangup Type	Desk Type
Individual Lines		
2-Party (See Note)	201A, B, C, D	202A, B, C, D
4-Party Semiselective	211A, B, C, D, J, L	203A, B, C, D, E, F
Multiparty Divided Code	212A, B, C, L	215A, B, C, D
Regular PBX Stations	213A, B, C, E	
750A and 755A Keyless Stations		

**Note:** This type subscriber set cannot be used for tip party stations where message rate or tip party identification is required.

**Fig. 1 – Circuit Diagram for Connection with Hand Telephone Sets**